



Photometric Test Report



LUMIPIX15IP

15x10W outdoor linear pixel batten

CONTENTS

Table of contents	2
Testing process	3
Color preset Full on	
Native Optic	4
No Diffuser	7
Color preset Red	
Native Optic	10
No Diffuser	13
Color preset Green	
Native Optic	16
No Diffuser	19
Color preset Blue	
Native Optic	22
No Diffuser	25
Color preset White	
Native Optic	28
No Diffuser	31

TESTING PROCESS

Prolights has its own optical testing laboratory in order to provide accurate photometric reports for its lighting products. The testing laboratory contains certain variety of precise lighting measurement systems that ensure an optimal reading of all the characteristic parameters of the lighting devices. All measurements are made at a controlled room temperature of 20°C without any external light sources. This photometric report is obtained through the data measured by a high precision measurement system and analyzed by a dedicate software.

Prolights measurement instrument

Prolights measurement instrument is a complete measurement system for any light source. It's equipped with two-axis goniometer, that enables to measure the full 3D distribution field of the light source. This instrument measures the light intensity, the beam angle and the most significant colors parameters, like color temperature, spectral distribution, CRI, CQS, TM-30 with a very high accuracy rate.

Please Note: All measurements are made with light source at operating temperature. Before starting the measurement, the instrument analyzes the process of the light source during the heating phase. The measuring process of all the parameters begins only when the light emission is stable, that is with a variation of less than 0.5% in a 15 minutes time frame.

Prolights measurement software

The software provides user friendly interface for the operator who does the measurements, and it also analyzes and processes all the collected data by the instrument. With this software it is possible to see the measured data in real-time and it is possible to examine all the measured data and graphics afterwards as well. All information is collected in a specific Prolights template, and the software creates also IES and LDT files, which are widely used to transfer the photometric data, and to develop lighting system.

Additionally, the fixtures are rechecked using various hand-held instruments like Sekonic C-700 and Gossen Mavospec Base, this is done to ensure, that the data in the photometric report are as accurate as possible.

Total lumen output:

4983 lm

Peak candela output:

47520 cd



PRODUCT NAME:

LUMIPIX15IP

MEASUREMENT CONDITIONS:

Beam angle:

Native Optic

Target:

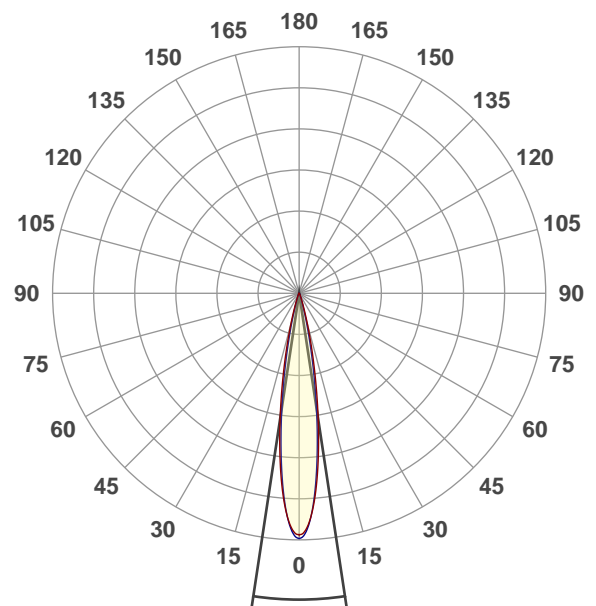
Full On

Operator:

Paolo Carvone

Date and time:

13/07/2020 12:02:14

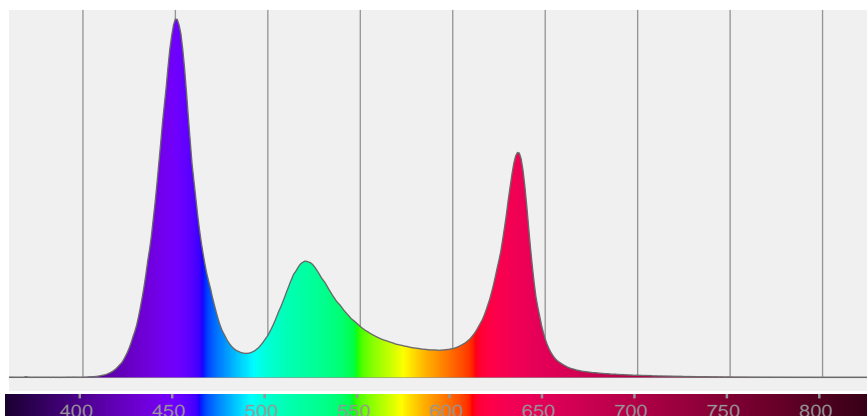


Beam angle 50%: 17,2°

Field angle 10%: 30,8°

Cut off angle 2.5%: 41,1°

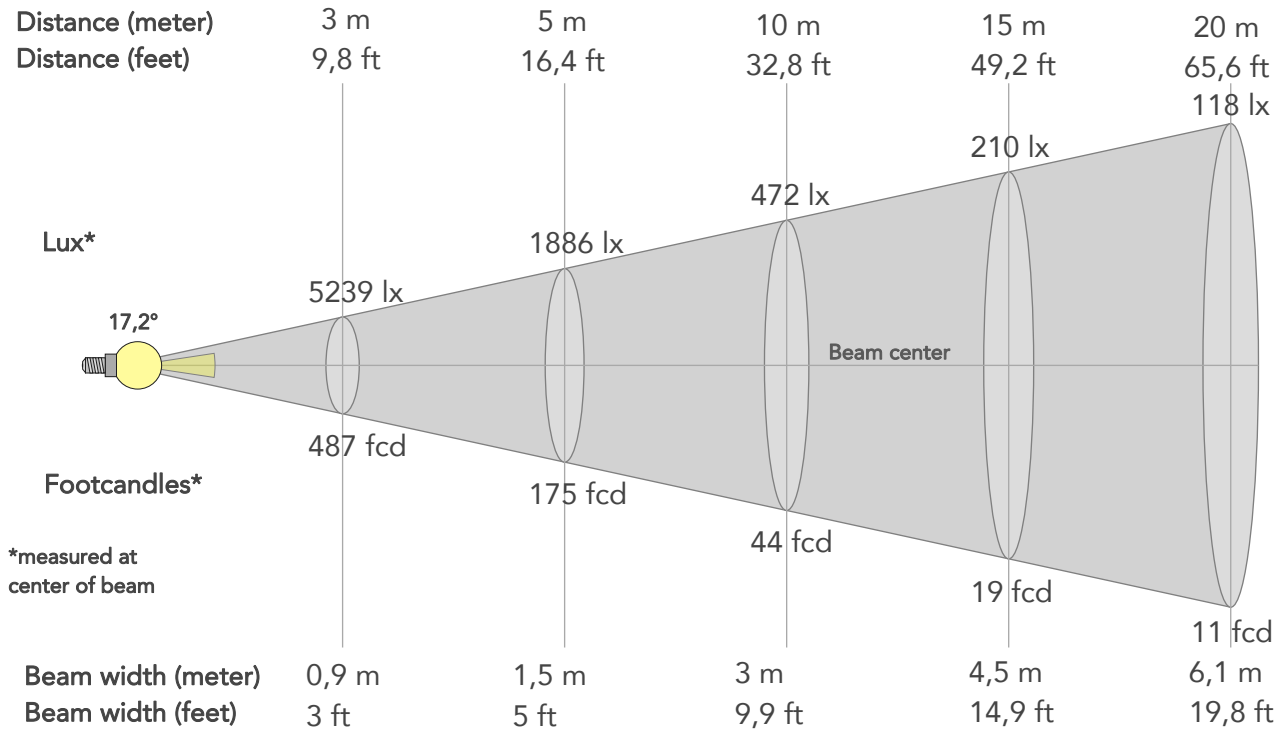
Spectra



BEAM DETAILS



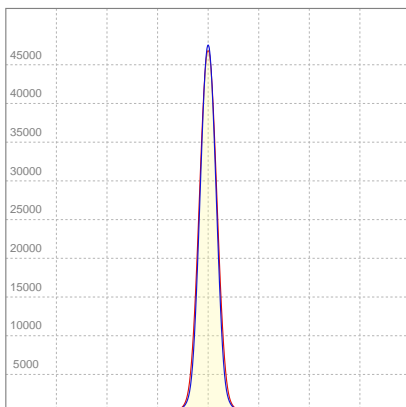
Beam angle 50%	Field angle 10%	Cut off angle 2,5%	Intensity ratio in 120° cone	Intensity ratio in 90° cone
17,2°	30,8°	41,1°	100,0%	99,9%



BEAM INTENSITIES AND WIDTHS

Distance	1m	2m	3m	4m	5m	7,5m	10m	15m	20m	25m	30m	40m	50m
Distance	3,3ft	6,6ft	9,8ft	13,1ft	16,4ft	24,6ft	32,8ft	49,2ft	65,6ft	82ft	98,4ft	131,2ft	164ft
Lux	47154lx	11789lx	5239lx	2947lx	1886lx	838lx	472lx	210lx	118lx	75lx	52lx	29lx	19lx
Footcand.	4381fcd	1095fcd	487fcd	274fcd	175fcd	78fcd	44fcd	19fcd	11fcd	7fcd	5fcd	3fcd	2fcd
Beam wid.	0,3m	0,6m	0,9m	1,2m	1,5m	2,3m	3m	4,5m	6,1m	7,6m	9,1m	12,1m	15,1m
Beam wid.	1ft	2ft	3ft	4ft	5ft	7,4ft	9,9ft	14,9ft	19,8ft	24,8ft	29,8ft	39,7ft	49,6ft

LINEAR DISTRIBUTION DIAGRAM

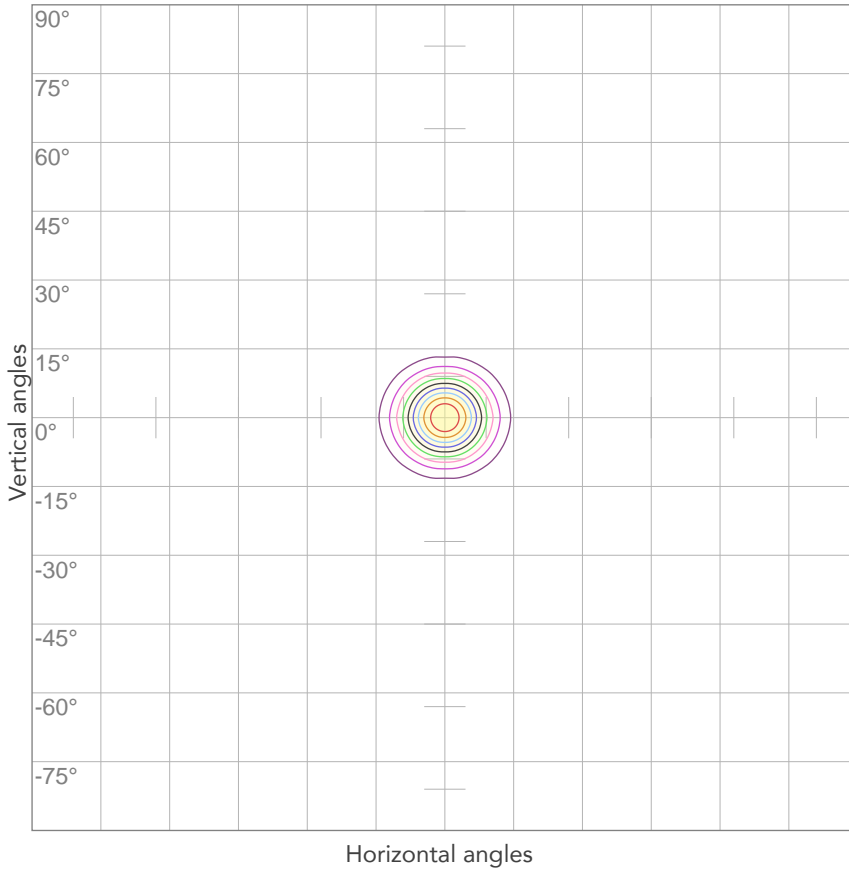


ELECTRICAL SPECIFICATIONS

Input voltage	Input current	Input power	Effeciency
223V	0,689A	146,9W	34lm/W

Power FC
0,95

ISO CANDELA DIAGRAM



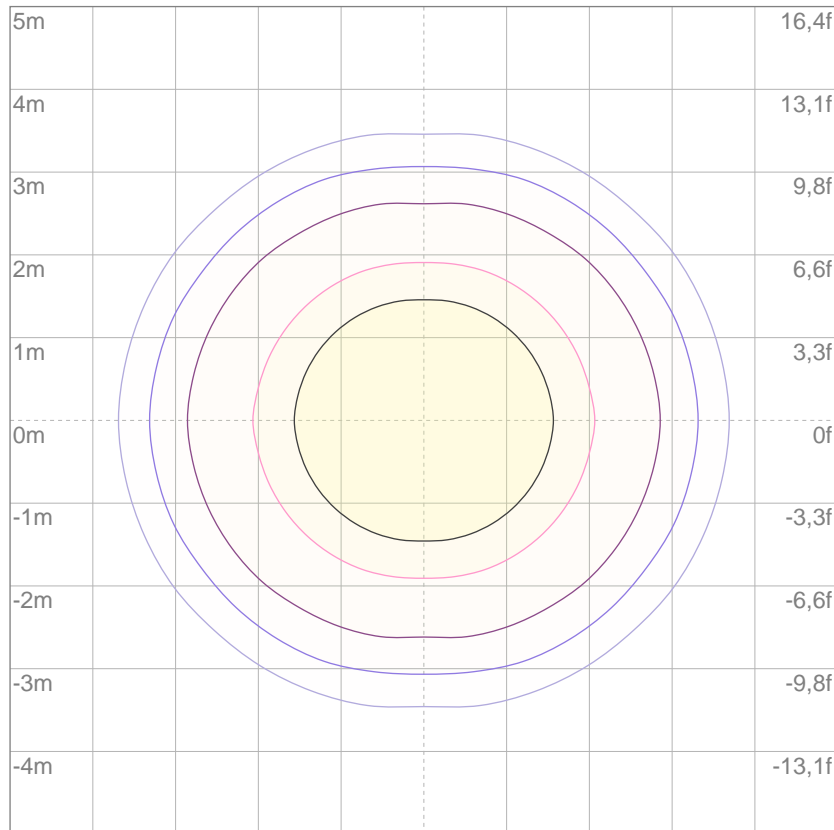
10%	4715 cd
20%	9431 cd
30%	14146 cd
40%	18862 cd
50%	23577 cd
60%	28293 cd
70%	33008 cd
80%	37723 cd

Conditions:

Number of c-planes: 4

Candela at center: 47154 cd

ISO LUX DIAGRAM



3%	14,1 lx
5%	23,6 lx
10%	47,2 lx
30%	141 lx
50%	236 lx

Conditions:

Number of c-planes: 4

Lux at center: 472 lx

Lux distribution on a surface when lamp is mounted at 10 meters from the surface.

Mounting height: 10 meters (33 feet)

Total lumen output:

5394 lm

Peak candela output:

61758 cd



PRODUCT NAME:

LUMIPIX15IP

MEASUREMENT CONDITIONS:

Beam angle:

No filter

Target:

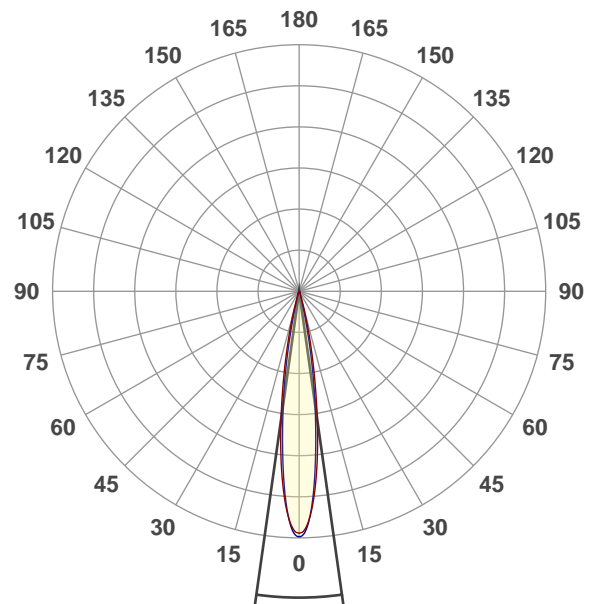
Full On

Operator:

Paolo Carvone

Date and time:

13/07/2020 12:28:26

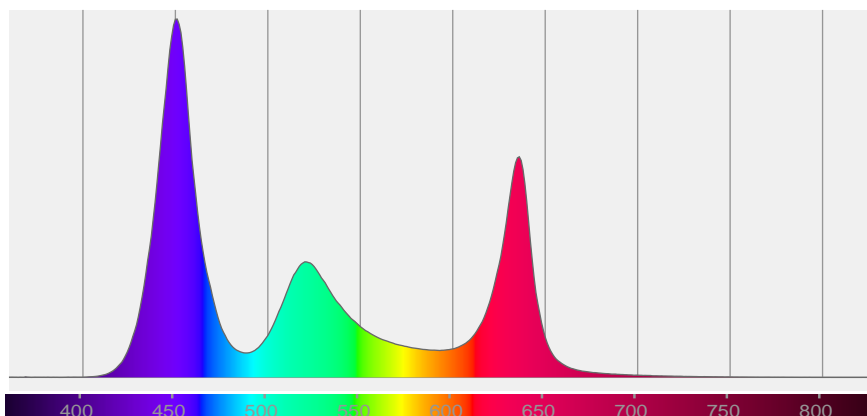


Beam angle 50%: 16,1°

Field angle 10%: 27,8°

Cut off angle 2.5%: 34,7°

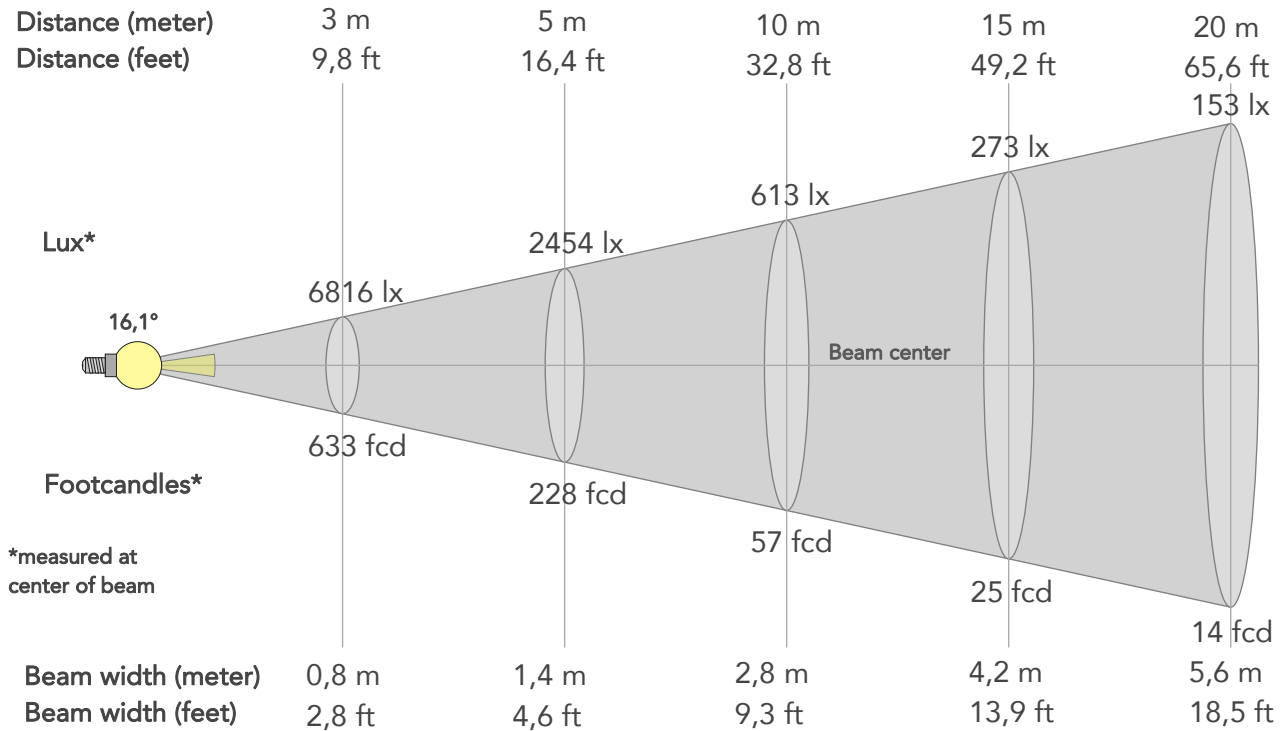
Spectra



BEAM DETAILS



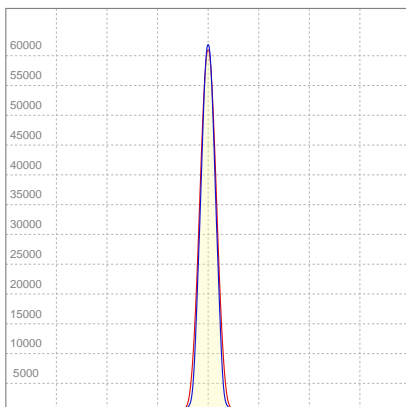
Beam angle 50%	Field angle 10%	Cut off angle 2,5%	Intensity ratio in 120° cone	Intensity ratio in 90° cone
16,1°	27,8°	34,7°	100,0%	99,6%



BEAM INTENSITIES AND WIDTHS

Distance	1m	2m	3m	4m	5m	7,5m	10m	15m	20m	25m	30m	40m	50m
Distance	3,3ft	6,6ft	9,8ft	13,1ft	16,4ft	24,6ft	32,8ft	49,2ft	65,6ft	82ft	98,4ft	131,2ft	164ft
Lux	61343lx	15336lx	6816lx	3834lx	2454lx	1091lx	613lx	273lx	153lx	98lx	68lx	38lx	25lx
Footcand.	5699fcd	1425fcd	633fcd	356fcd	228fcd	101fcd	57fcd	25fcd	14fcd	9fcd	6fcd	4fcd	2fcd
Beam wid.	0,3m	0,6m	0,8m	1,1m	1,4m	2,1m	2,8m	4,2m	5,6m	7,1m	8,5m	11,3m	14,1m
Beam wid.	0,9ft	1,9ft	2,8ft	3,7ft	4,6ft	6,9ft	9,3ft	13,9ft	18,5ft	23,1ft	27,8ft	37ft	46,3ft

LINEAR DISTRIBUTION DIAGRAM

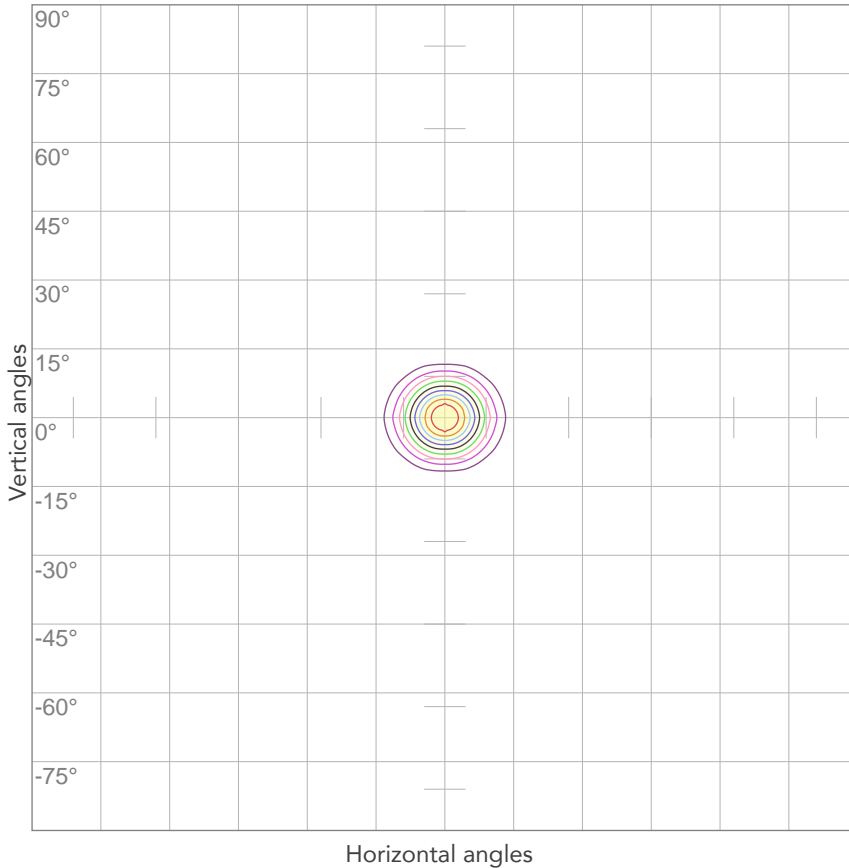


ELECTRICAL SPECIFICATIONS

Input voltage	Input current	Input power	Effeciency
225V	0,683A	146,6W	37lm/W

Power FC
0,95

ISO CANDELA DIAGRAM



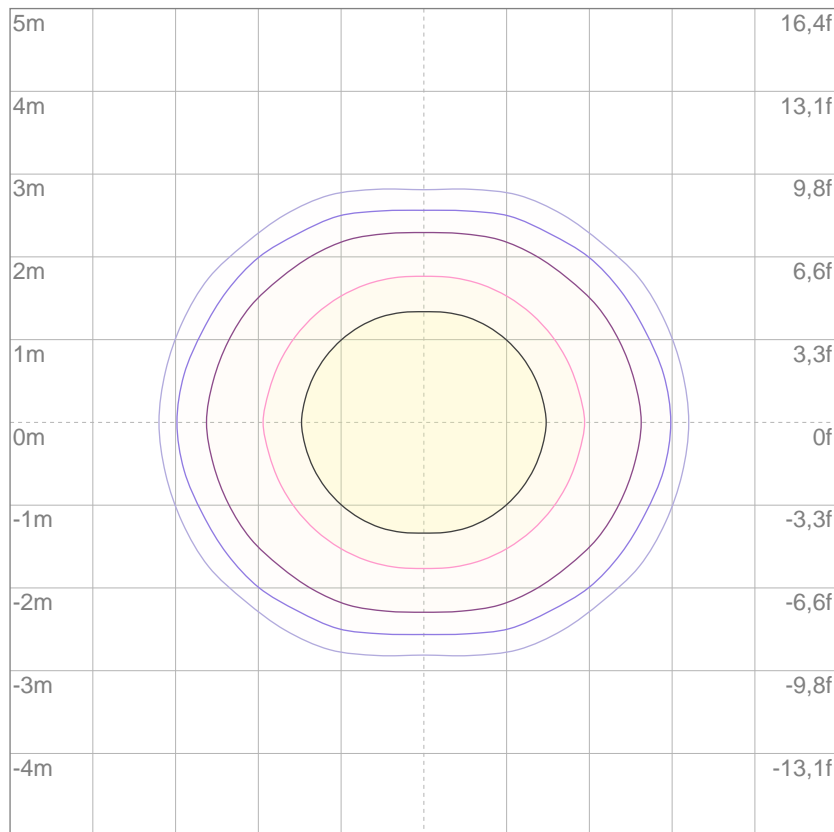
10%	6134 cd
20%	12269 cd
30%	18403 cd
40%	24537 cd
50%	30672 cd
60%	36806 cd
70%	42940 cd
80%	49075 cd

Conditions:

Number of c-planes: 4

Candela at center: 61343 cd

ISO LUX DIAGRAM



Mounting height: 10 meters (33 feet)

3%	18,4 lx
5%	30,7 lx
10%	61,3 lx
30%	184 lx
50%	307 lx

Conditions:

Number of c-planes: 4

Lux at center: 613 lx

Lux distribution on a surface when lamp is mounted at 10 meters from the surface.



Total lumen output:

981 lm

Peak candela output:

9198 cd

PRODUCT NAME:

LUMIPIX15IP

MEASUREMENT CONDITIONS:

Beam angle:

Native Optic

Target:

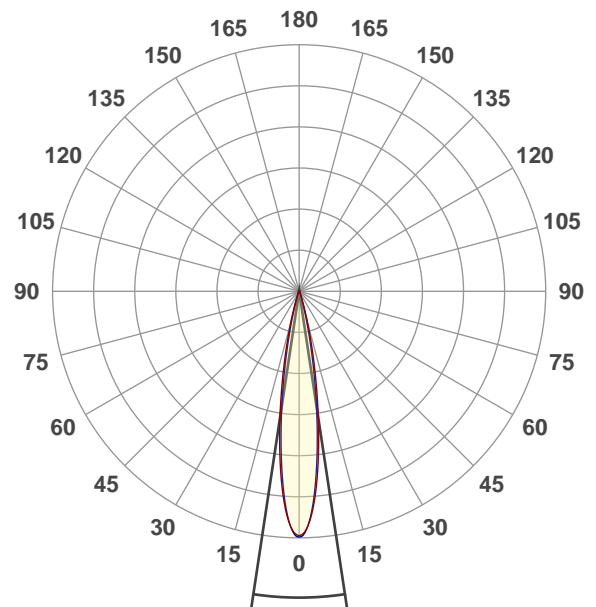
Red

Operator:

Paolo Carvone

Date and time:

13/07/2020 12:06:43

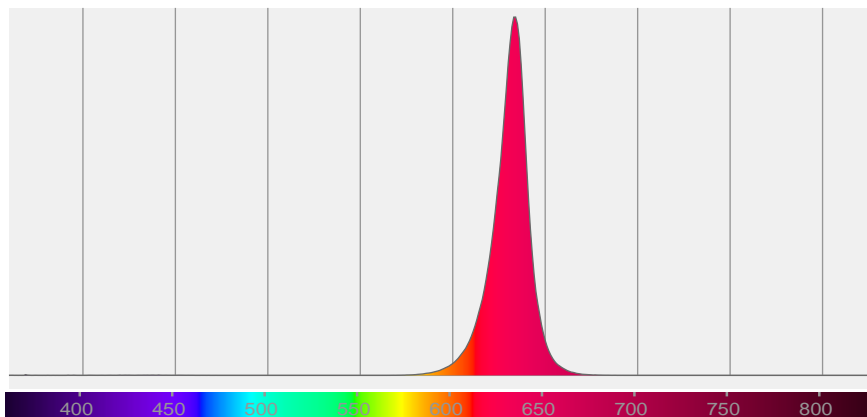


Beam angle 50%: 17,2°

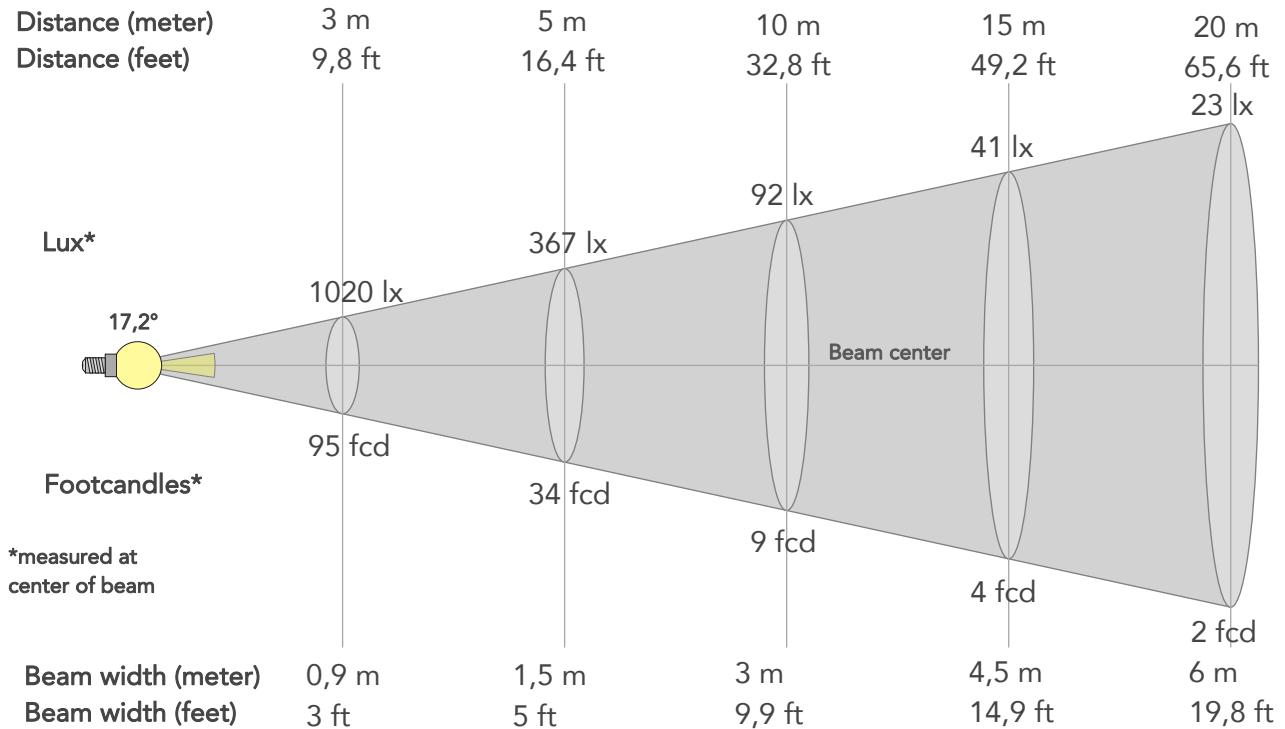
Field angle 10%: 30,9°

Cut off angle 2.5%: 41°

Spectra



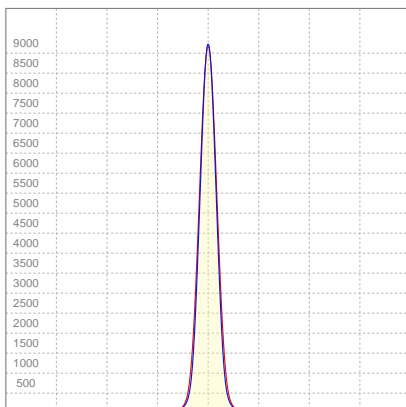
Beam angle 50%	Field angle 10%	Cut off angle 2,5%	Intensity ratio in 120° cone	Intensity ratio in 90° cone
17,2°	30,9°	41°	99,9%	99,5%



BEAM INTENSITIES AND WIDTHS

Distance	1m	2m	3m	4m	5m	7,5m	10m	15m	20m	25m	30m	40m	50m
Distance	3,3ft	6,6ft	9,8ft	13,1ft	16,4ft	24,6ft	32,8ft	49,2ft	65,6ft	82ft	98,4ft	131,2ft	164ft
Lux	9176lx	2294lx	1020lx	574lx	367lx	163lx	92lx	41lx	23lx	15lx	10lx	6lx	4lx
Footcand.	852fcd	213fcd	95fcd	53fcd	34fcd	15fcd	9fcd	4fcd	2fcd	1fcd	1fcd	1fcd	0fcd
Beam wid.	0,3m	0,6m	0,9m	1,2m	1,5m	2,3m	3m	4,5m	6m	7,6m	9,1m	12,1m	15,1m
Beam wid.	1ft	2ft	3ft	4ft	5ft	7,4ft	9,9ft	14,9ft	19,8ft	24,8ft	29,8ft	39,7ft	49,6ft

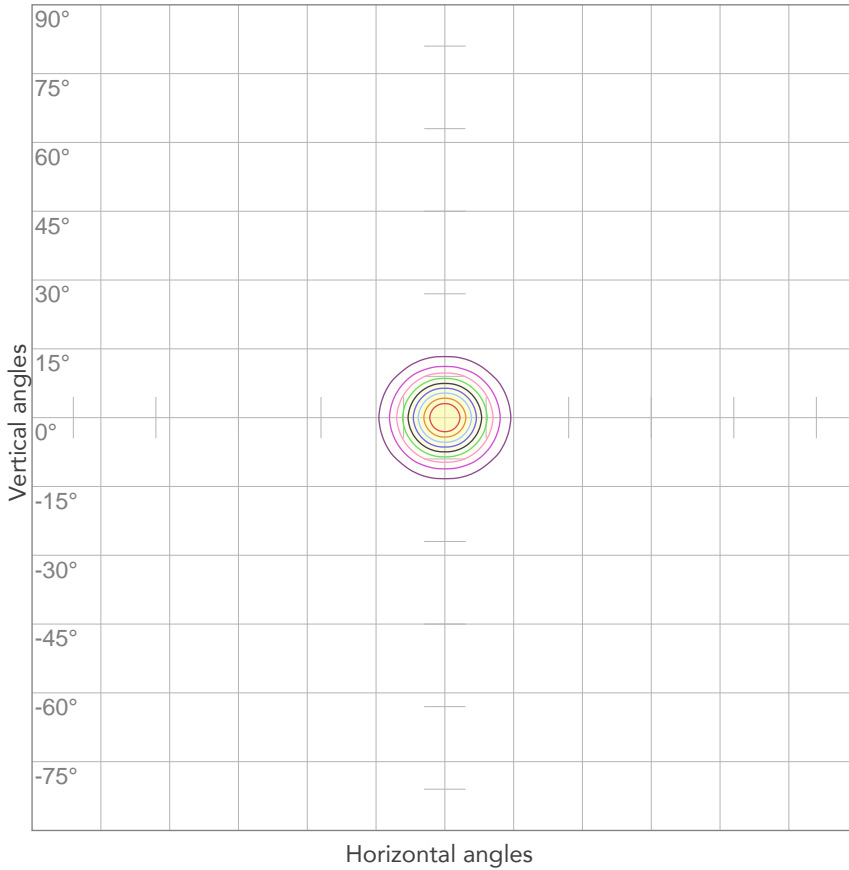
LINEAR DISTRIBUTION DIAGRAM



ELECTRICAL SPECIFICATIONS

Input voltage	Input current	Input power	Efficiency
225V	0,214A	36,2W	27lm/W

ISO CANDELA DIAGRAM



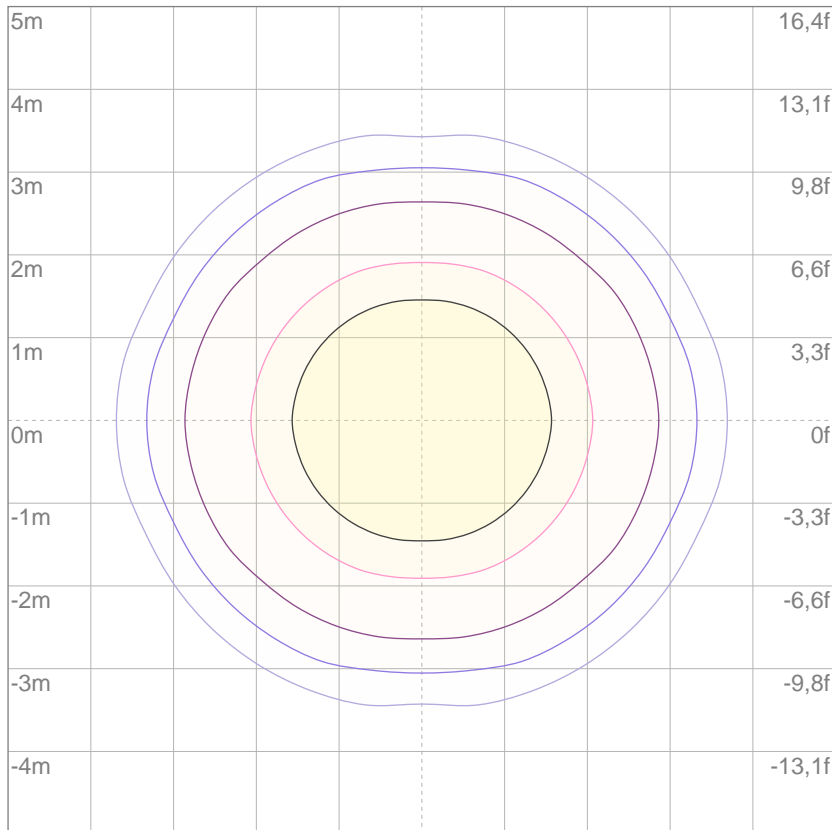
10%	918 cd
20%	1835 cd
30%	2753 cd
40%	3670 cd
50%	4588 cd
60%	5506 cd
70%	6423 cd
80%	7341 cd

Conditions:

Number of c-planes: 4

Candela at center: 9176 cd

ISO LUX DIAGRAM



3%	2,75 lx
5%	4,59 lx
10%	9,18 lx
30%	27,5 lx
50%	45,9 lx

Conditions:

Number of c-planes: 4

Lux at center: 91,8 lx

Lux distribution on a surface when lamp is mounted at 10 meters from the surface.

Mounting height: 10 meters (33 feet)



Total lumen output:

1025 lm

Peak candela output:

11730 cd

PRODUCT NAME:

LUMIPIX15IP

MEASUREMENT CONDITIONS:

Beam angle:

No filter

Target:

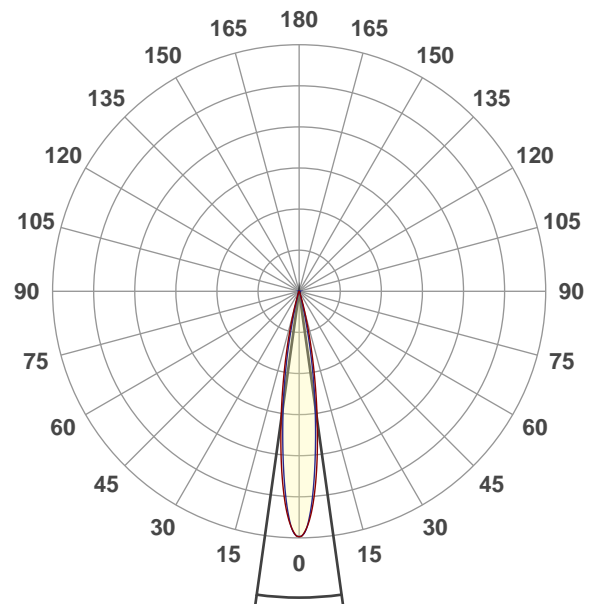
Red

Operator:

Paolo Carvone

Date and time:

13/07/2020 12:31:20

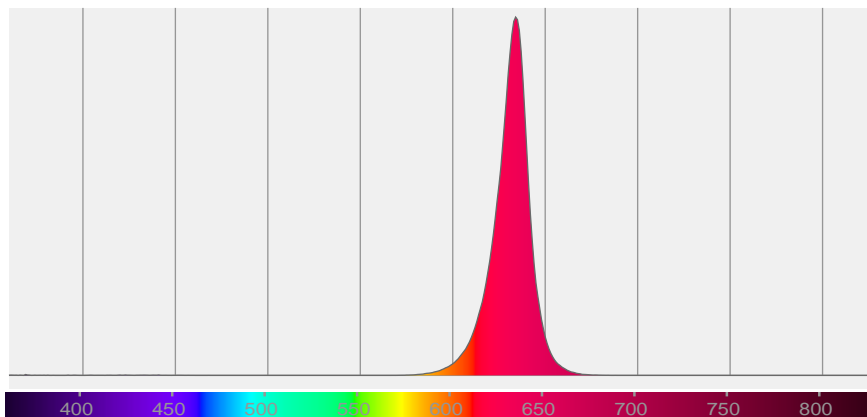


Beam angle 50%: 15,9°

Field angle 10%: 27,8°

Cut off angle 2.5%: 34,6°

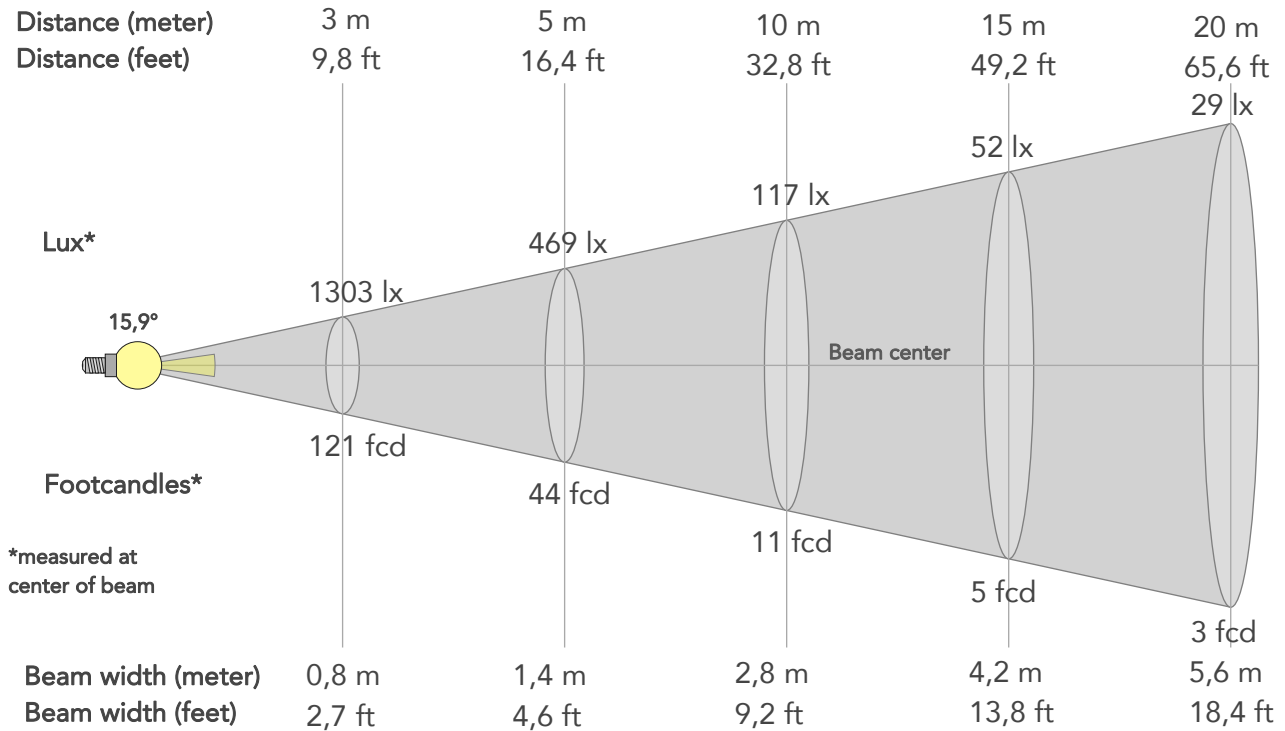
Spectra



BEAM DETAILS



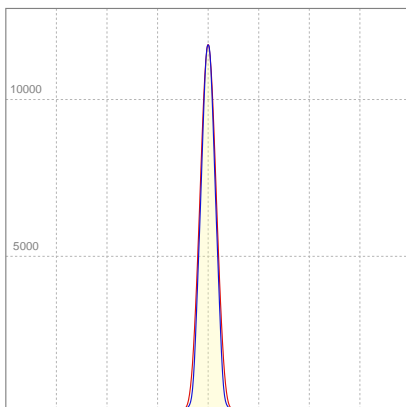
Beam angle 50%	Field angle 10%	Cut off angle 2,5%	Intensity ratio in 120° cone	Intensity ratio in 90° cone
15,9°	27,8°	34,6°	99,9%	99,5%



BEAM INTENSITIES AND WIDTHS

Distance	1m	2m	3m	4m	5m	7,5m	10m	15m	20m	25m	30m	40m	50m
Distance	3,3ft	6,6ft	9,8ft	13,1ft	16,4ft	24,6ft	32,8ft	49,2ft	65,6ft	82ft	98,4ft	131,2ft	164ft
Lux	11728lx	2932lx	1303lx	733lx	469lx	209lx	117lx	52lx	29lx	19lx	13lx	7lx	5lx
Footcand.	1090fcd	272fcd	121fcd	68fcd	44fcd	19fcd	11fcd	5fcd	3fcd	2fcd	1fcd	1fcd	0fcd
Beam wid.	0,3m	0,6m	0,8m	1,1m	1,4m	2,1m	2,8m	4,2m	5,6m	7m	8,4m	11,2m	14m
Beam wid.	0,9ft	1,8ft	2,7ft	3,7ft	4,6ft	6,9ft	9,2ft	13,8ft	18,4ft	22,9ft	27,5ft	36,7ft	45,9ft

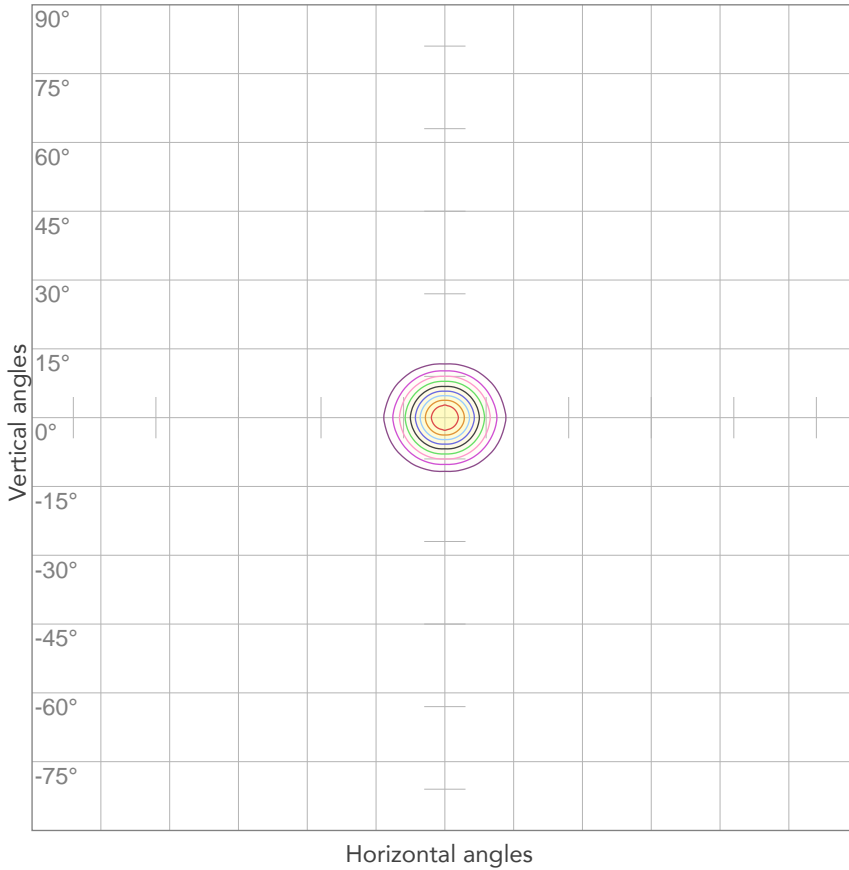
LINEAR DISTRIBUTION DIAGRAM



ELECTRICAL SPECIFICATIONS

Input voltage	Input current	Input power	Effeciency
225V	0,214A	36,0W	28lm/W

ISO CANDELA DIAGRAM



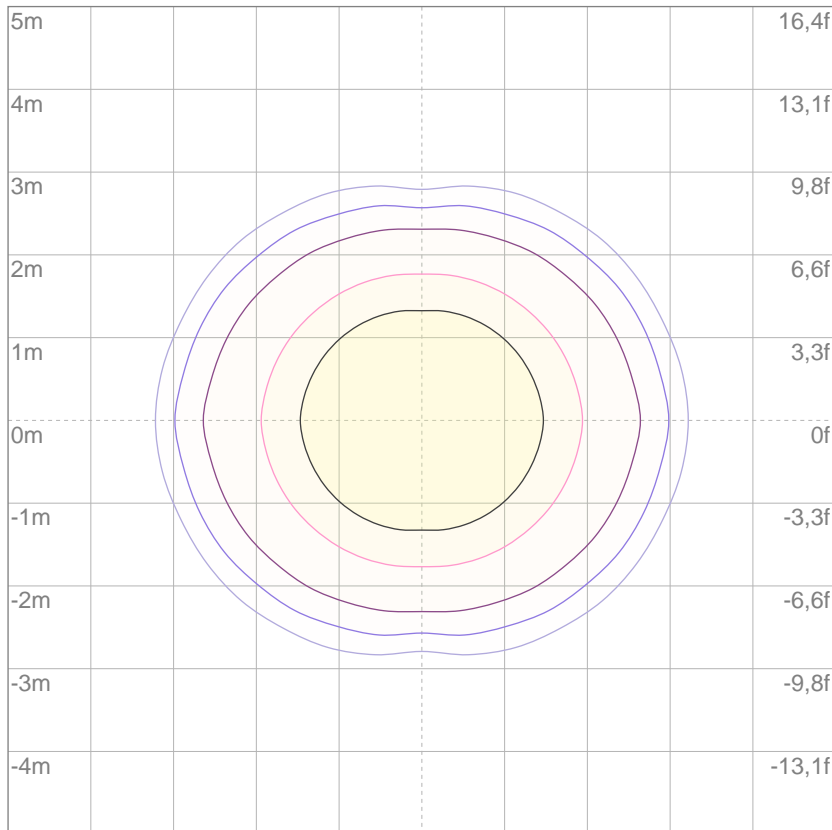
10%	1173 cd
20%	2346 cd
30%	3519 cd
40%	4691 cd
50%	5864 cd
60%	7037 cd
70%	8210 cd
80%	9383 cd

Conditions:

Number of c-planes: 4

Candela at center: 11728 cd

ISO LUX DIAGRAM



Mounting height: 10 meters (33 feet)

3%	3,52 lx
5%	5,86 lx
10%	11,7 lx
30%	35,2 lx
50%	58,6 lx

Conditions:

Number of c-planes: 4

Lux at center: 117 lx

Lux distribution on a surface when lamp is mounted at 10 meters from the surface.

Total lumen output:

1935 lm

Peak candela output:

18258 cd



PRODUCT NAME:

LUMIPIX15IP

MEASUREMENT CONDITIONS:

Beam angle:

Native Optic

Target:

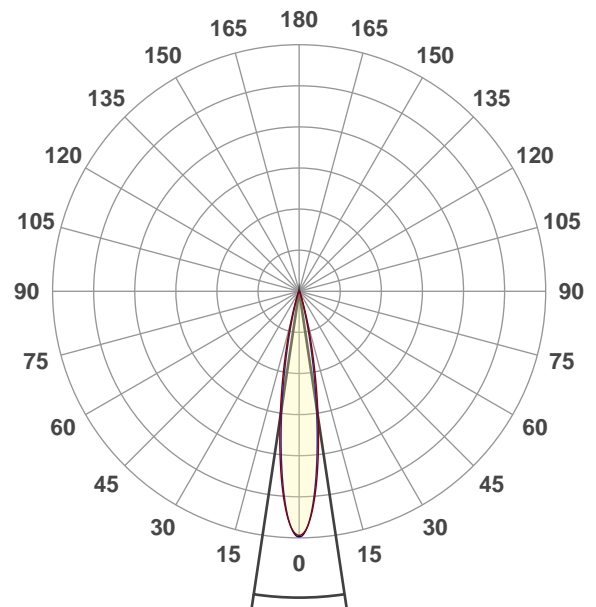
Green

Operator:

Paolo Carvone

Date and time:

13/07/2020 12:09:38

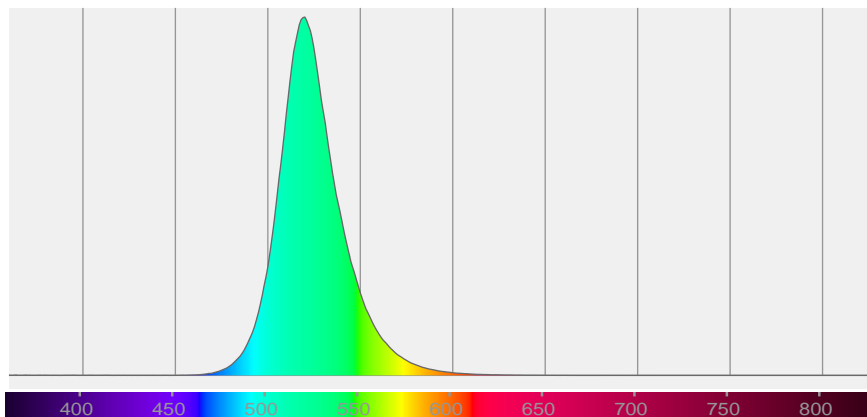


Beam angle 50%: 17,1°

Field angle 10%: 30,7°

Cut off angle 2.5%: 41,2°

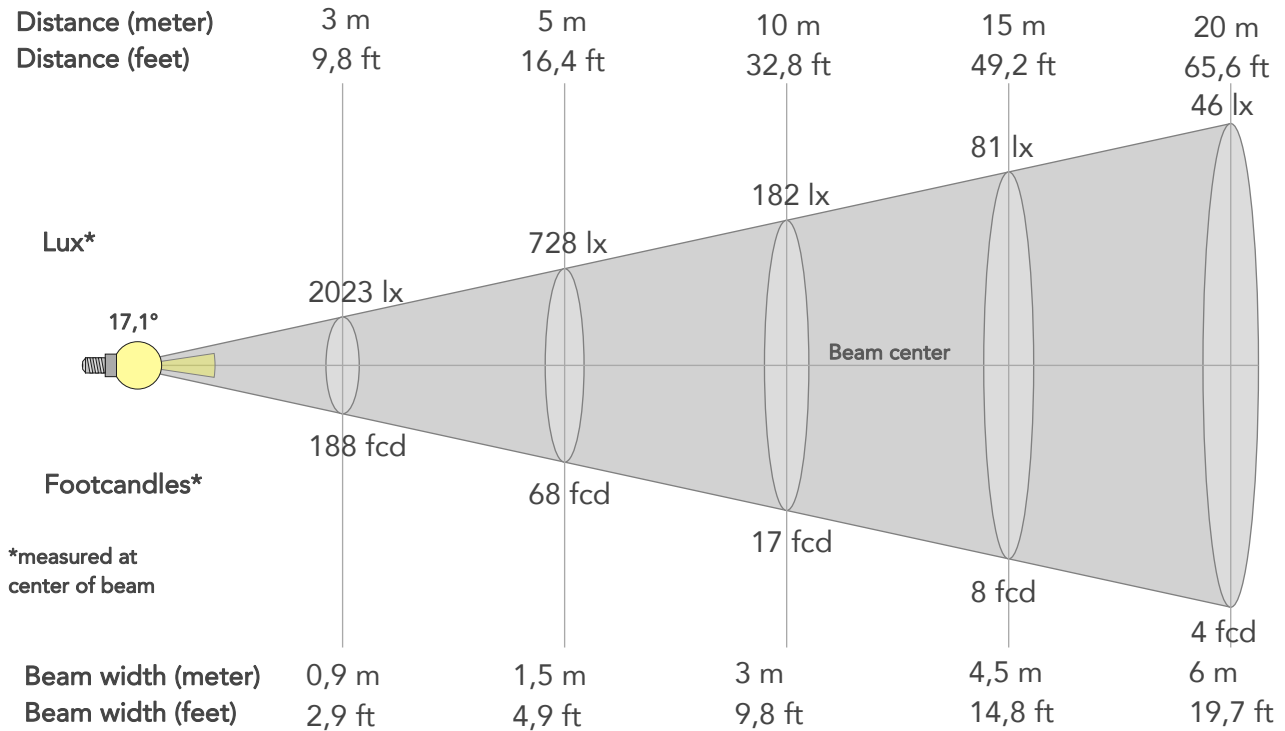
Spectra



BEAM DETAILS



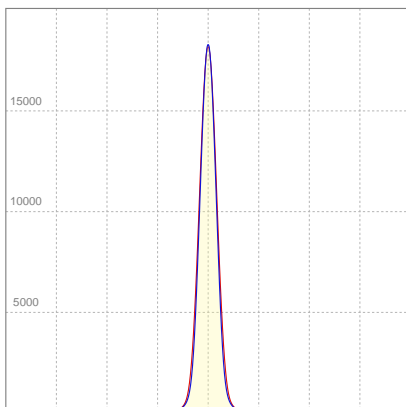
Beam angle 50%	Field angle 10%	Cut off angle 2,5%	Intensity ratio in 120° cone	Intensity ratio in 90° cone
17,1°	30,7°	41,2°	99,9%	99,4%



BEAM INTENSITIES AND WIDTHS

Distance	1m	2m	3m	4m	5m	7,5m	10m	15m	20m	25m	30m	40m	50m
Distance	3,3ft	6,6ft	9,8ft	13,1ft	16,4ft	24,6ft	32,8ft	49,2ft	65,6ft	82ft	98,4ft	131,2ft	164ft
Lux	18211lx	4553lx	2023lx	1138lx	728lx	324lx	182lx	81lx	46lx	29lx	20lx	11lx	7lx
Footcand.	1692fcd	423fcd	188fcd	106fcd	68fcd	30fcd	17fcd	8fcd	4fcd	3fcd	2fcd	1fcd	1fcd
Beam wid.	0,3m	0,6m	0,9m	1,2m	1,5m	2,2m	3m	4,5m	6m	7,5m	9m	12m	15m
Beam wid.	1ft	2ft	2,9ft	3,9ft	4,9ft	7,4ft	9,8ft	14,8ft	19,7ft	24,6ft	29,5ft	39,3ft	49,2ft

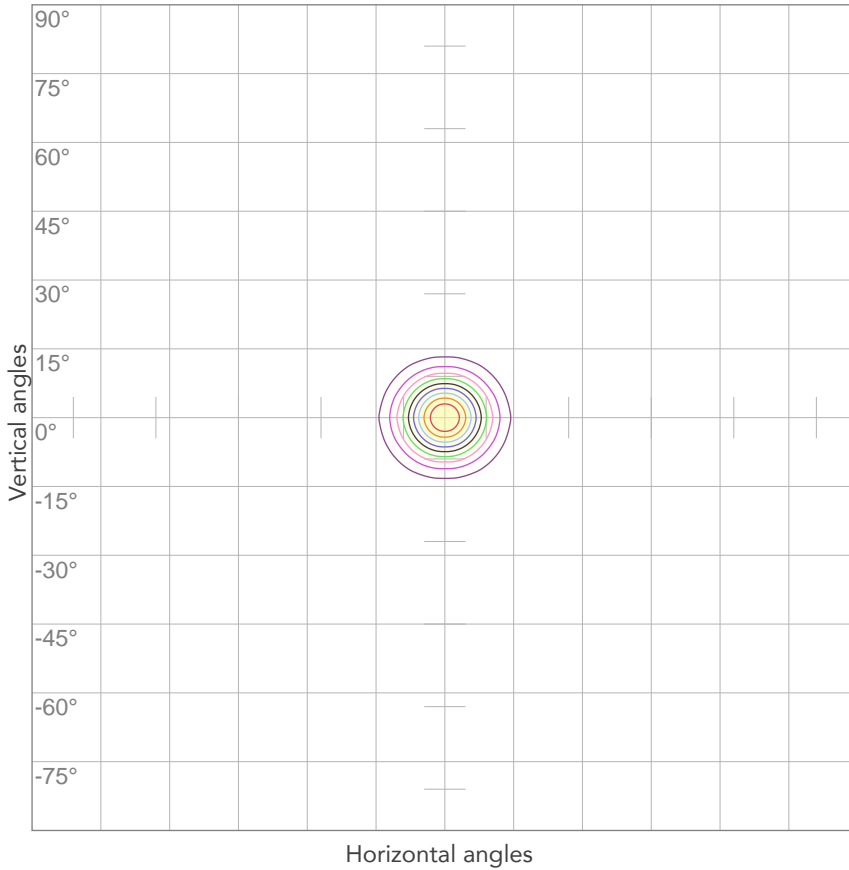
LINEAR DISTRIBUTION DIAGRAM



ELECTRICAL SPECIFICATIONS

Input voltage	Input current	Input power	Effeciency
225V	0,246A	43,9W	44lm/W

ISO CANDELA DIAGRAM



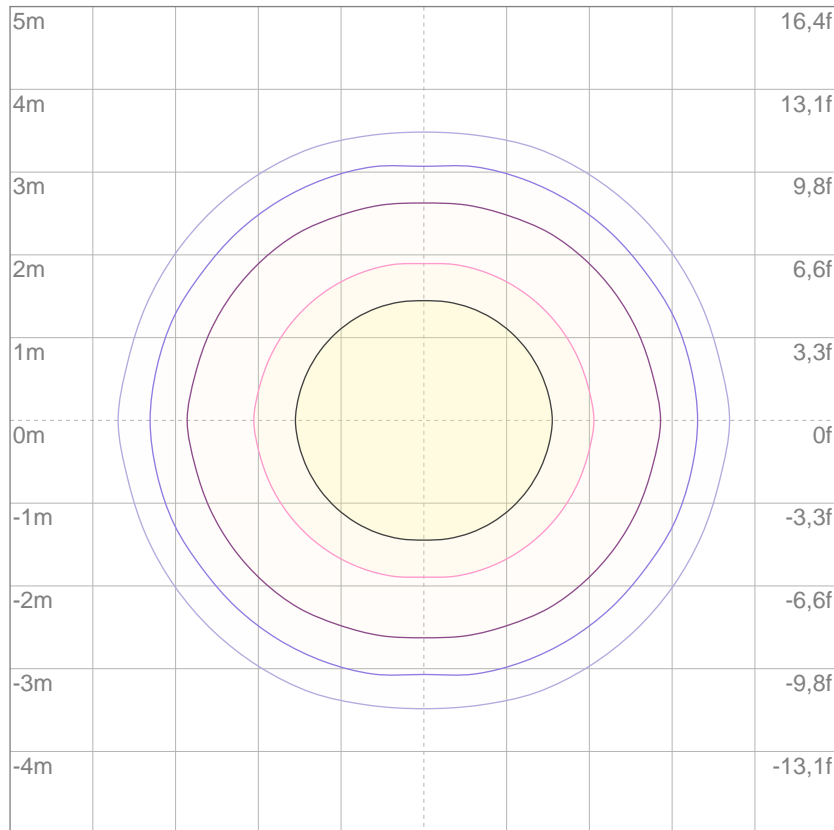
10%	1821 cd
20%	3642 cd
30%	5463 cd
40%	7284 cd
50%	9105 cd
60%	10926 cd
70%	12747 cd
80%	14569 cd

Conditions:

Number of c-planes: 4

Candela at center: 18211 cd

ISO LUX DIAGRAM



3%	5,46 lx
5%	9,11 lx
10%	18,2 lx
30%	54,6 lx
50%	91,1 lx

Conditions:

Number of c-planes: 4

Lux at center: 182 lx

Lux distribution on a surface when lamp is mounted at 10 meters from the surface.

Total lumen output:

2104 lm

Peak candela output:

24002 cd



PRODUCT NAME:

LUMIPIX15IP

MEASUREMENT CONDITIONS:

Beam angle:

No filter

Target:

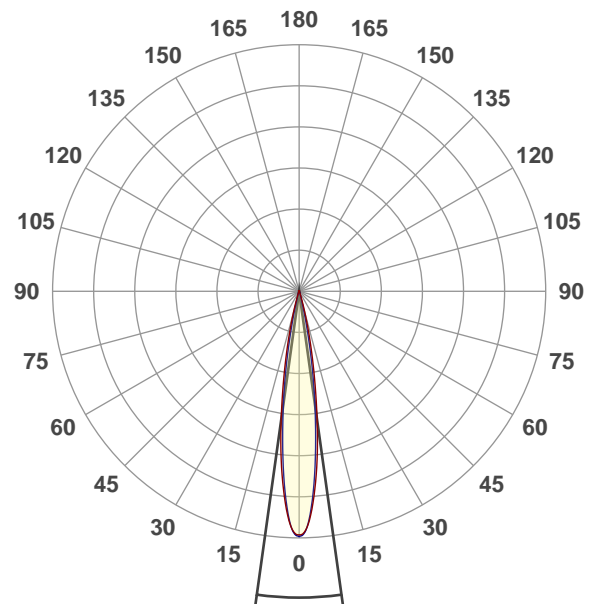
Green

Operator:

Paolo Carvone

Date and time:

13/07/2020 12:33:36

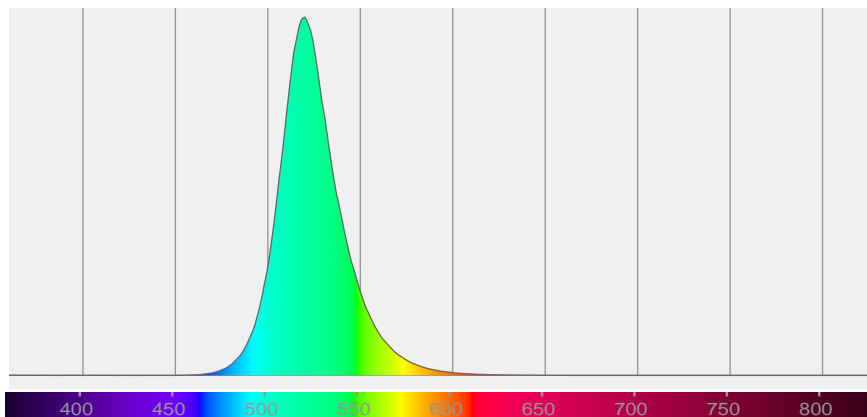


Beam angle 50%: 15,9°

Field angle 10%: 27,7°

Cut off angle 2.5%: 34,7°

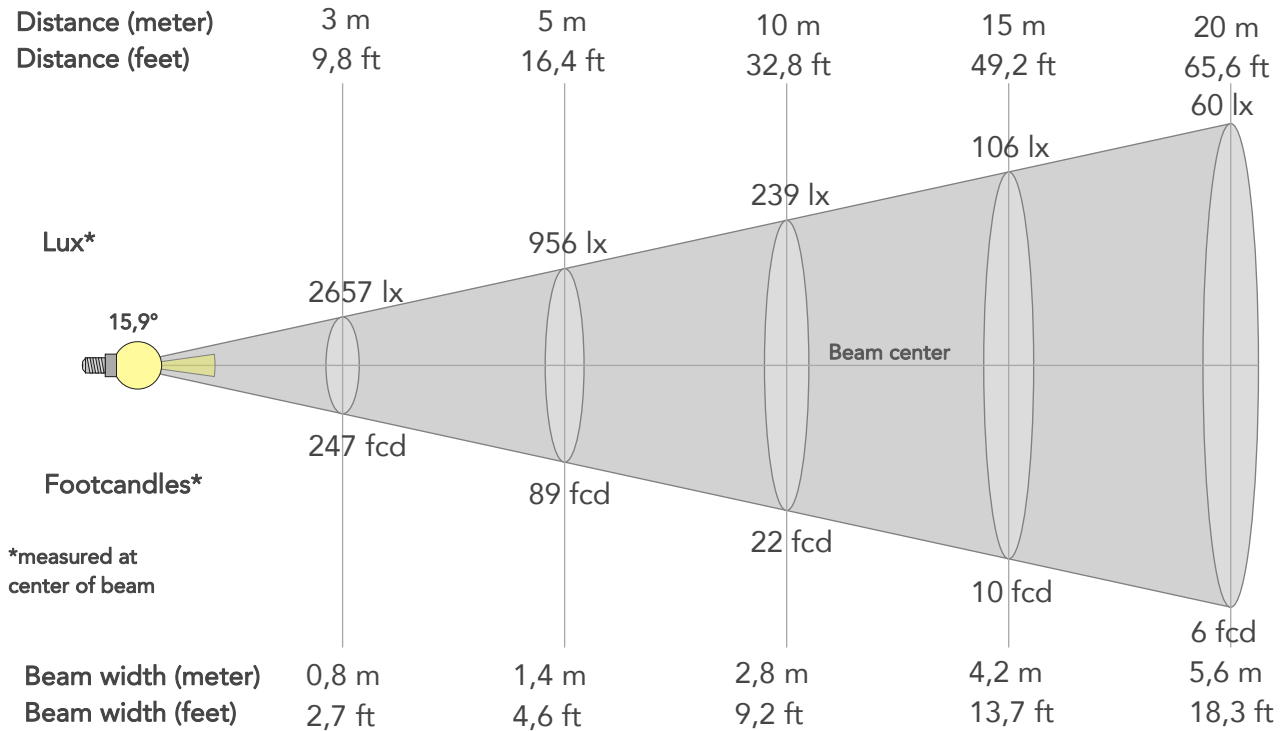
Spectra



BEAM DETAILS



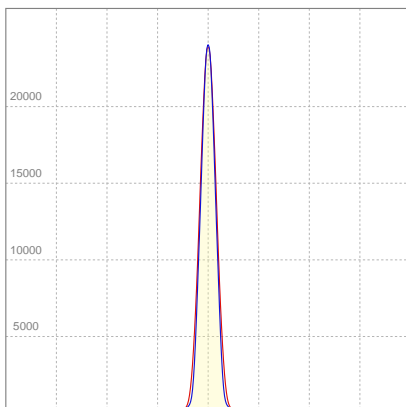
Beam angle 50%	Field angle 10%	Cut off angle 2,5%	Intensity ratio in 120° cone	Intensity ratio in 90° cone
15,9°	27,7°	34,7°	99,9%	99,1%



BEAM INTENSITIES AND WIDTHS

Distance	1m	2m	3m	4m	5m	7,5m	10m	15m	20m	25m	30m	40m	50m
Distance	3,3ft	6,6ft	9,8ft	13,1ft	16,4ft	24,6ft	32,8ft	49,2ft	65,6ft	82ft	98,4ft	131,2ft	164ft
Lux	23912lx	5978lx	2657lx	1495lx	956lx	425lx	239lx	106lx	60lx	38lx	27lx	15lx	10lx
Footcand.	2222fcd	555fcd	247fcd	139fcd	89fcd	39fcd	22fcd	10fcd	6fcd	4fcd	2fcd	1fcd	1fcd
Beam wid.	0,3m	0,6m	0,8m	1,1m	1,4m	2,1m	2,8m	4,2m	5,6m	7m	8,4m	11,2m	14m
Beam wid.	0,9ft	1,8ft	2,7ft	3,7ft	4,6ft	6,9ft	9,2ft	13,7ft	18,3ft	22,9ft	27,5ft	36,6ft	45,8ft

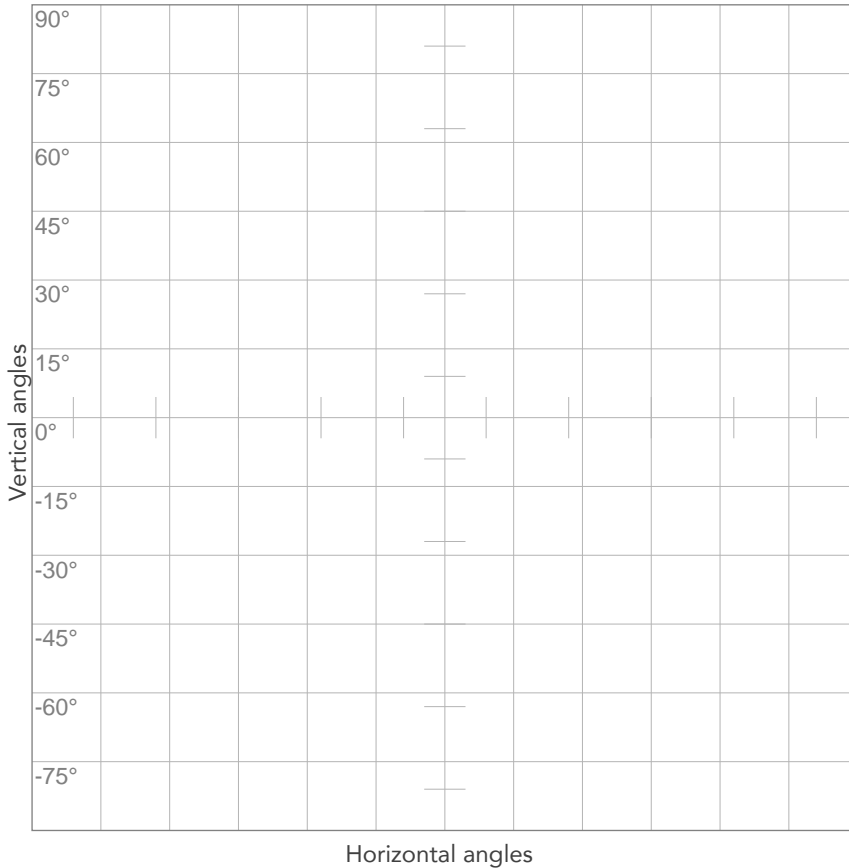
LINEAR DISTRIBUTION DIAGRAM



ELECTRICAL SPECIFICATIONS

Input voltage	Input current	Input power	Efficiency
225V	0,245A	43,7W	48lm/W

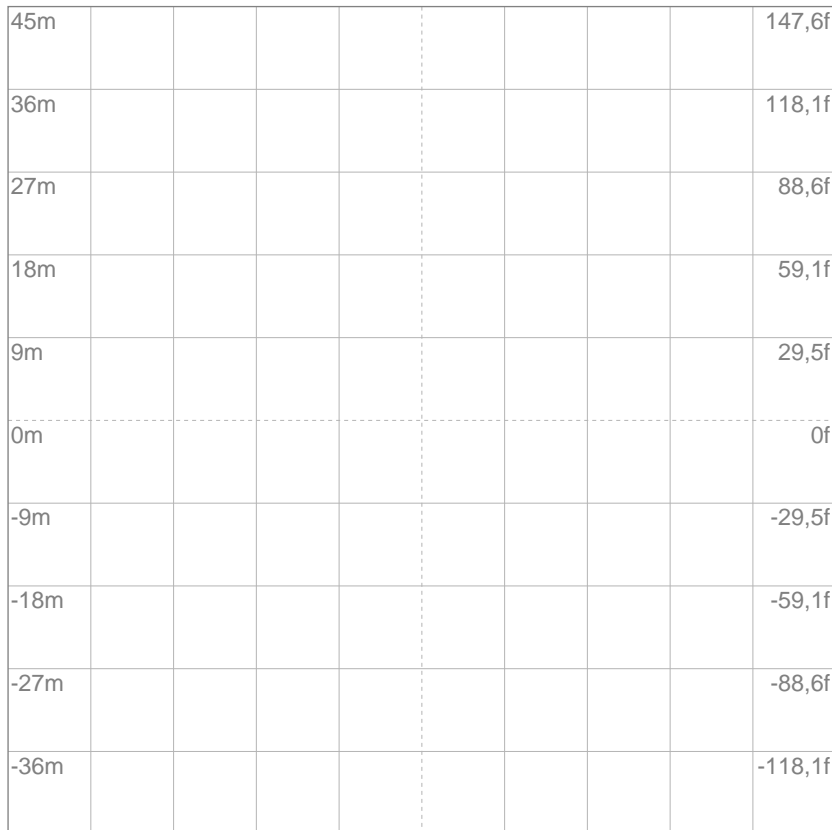
ISO CANDELA DIAGRAM



10%	2391 cd
20%	4782 cd
30%	7174 cd
40%	9565 cd
50%	11956 cd
60%	14347 cd
70%	16739 cd
80%	19130 cd

Conditions:
 Number of c-planes: 4
 Candela at center: 23912 cd

ISO LUX DIAGRAM



3%	7,17 lx
5%	12,0 lx
10%	23,9 lx
30%	71,7 lx
50%	120 lx

Conditions:
 Number of c-planes: 4
 Lux at center: 239 lx

Lux distribution on a surface when lamp is mounted at 10 meters from the surface.

Mounting height: 10 meters (33 feet)

Total lumen output:

357 lm

Peak candela output:

3389 cd



PRODUCT NAME:

LUMIPIX15IP

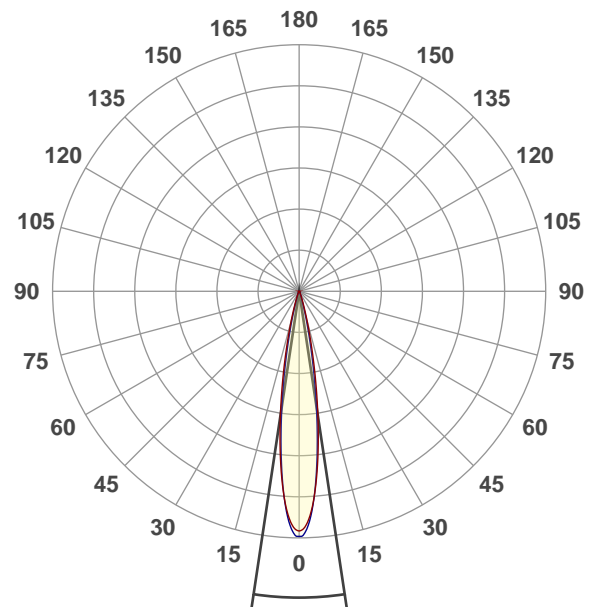
MEASUREMENT CONDITIONS:

Beam angle:
Native Optic

Target:
Blue

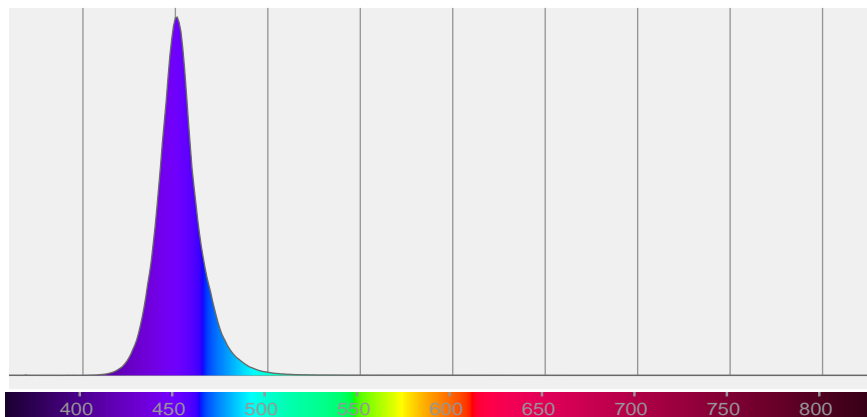
Operator:
Paolo Carvone

Date and time:
13/07/2020 12:12:41



Beam angle 50%: 17,1°
Field angle 10%: 30,6°
Cut off angle 2.5%: 41,2°

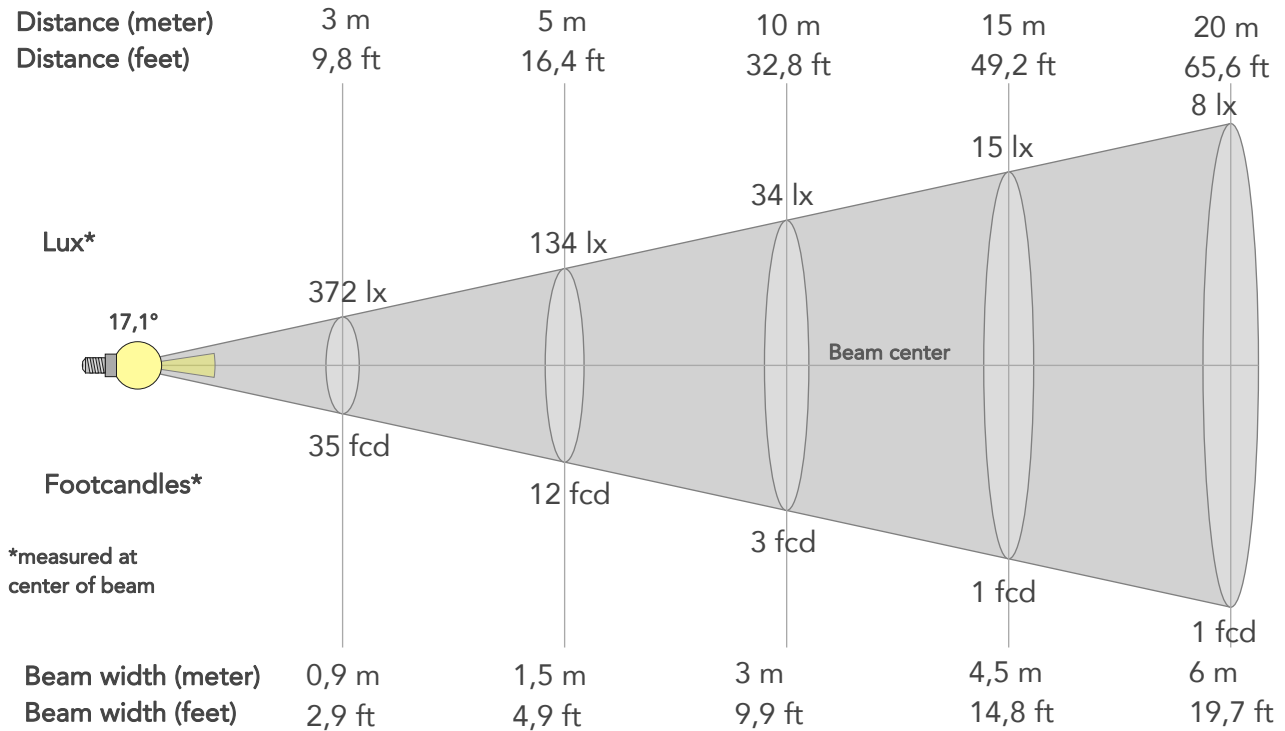
Spectra



BEAM DETAILS



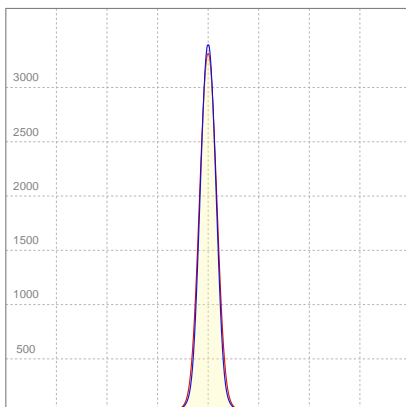
Beam angle 50%	Field angle 10%	Cut off angle 2,5%	Intensity ratio in 120° cone	Intensity ratio in 90° cone
17,1°	30,6°	41,2°	99,7%	99,1%



BEAM INTENSITIES AND WIDTHS

Distance	1m	2m	3m	4m	5m	7,5m	10m	15m	20m	25m	30m	40m	50m
Distance	3,3ft	6,6ft	9,8ft	13,1ft	16,4ft	24,6ft	32,8ft	49,2ft	65,6ft	82ft	98,4ft	131,2ft	164ft
Lux	3351lx	838lx	372lx	209lx	134lx	60lx	34lx	15lx	8lx	5lx	4lx	2lx	1lx
Footcand.	311fcd	78fcd	35fcd	19fcd	12fcd	6fcd	3fcd	1fcd	1fcd	0fcd	0fcd	0fcd	0fcd
Beam wid.	0,3m	0,6m	0,9m	1,2m	1,5m	2,3m	3m	4,5m	6m	7,5m	9m	12m	15m
Beam wid.	1ft	2ft	2,9ft	3,9ft	4,9ft	7,4ft	9,9ft	14,8ft	19,7ft	24,7ft	29,6ft	39,5ft	49,3ft

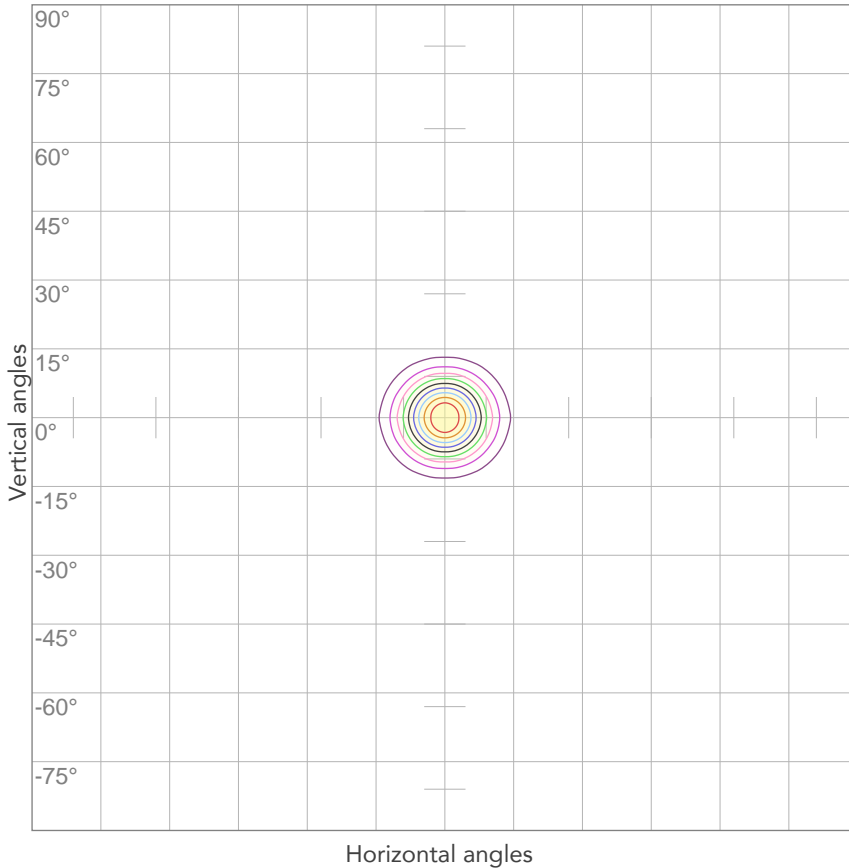
LINEAR DISTRIBUTION DIAGRAM



ELECTRICAL SPECIFICATIONS

Input voltage	Input current	Input power	Effeciency
225V	0,243A	43,0W	8lm/W

ISO CANDELA DIAGRAM



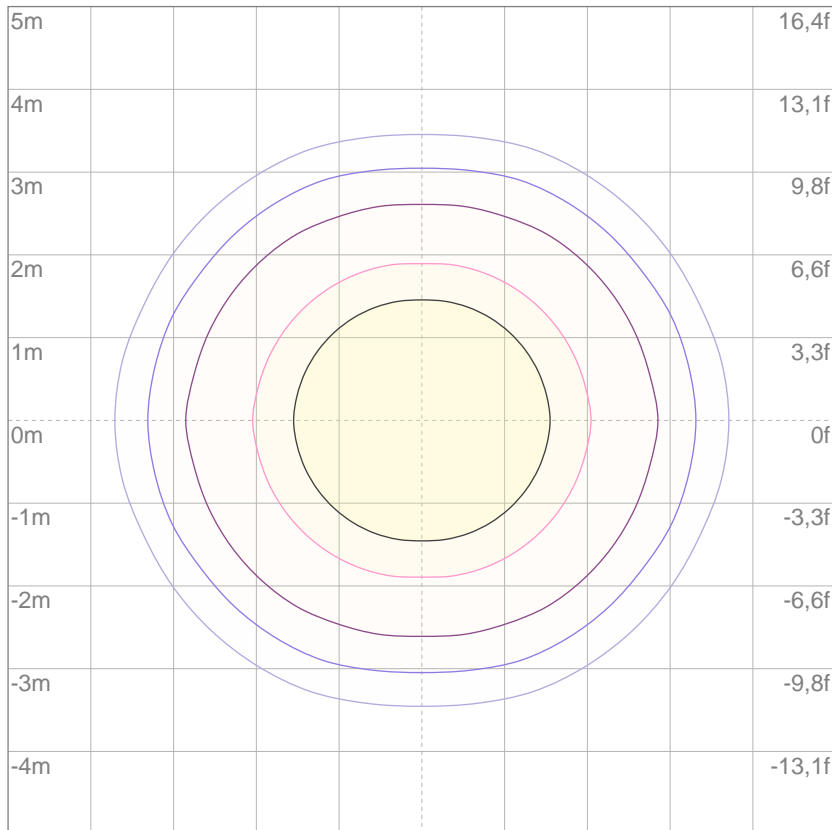
10%	335 cd
20%	670 cd
30%	1005 cd
40%	1340 cd
50%	1675 cd
60%	2010 cd
70%	2345 cd
80%	2680 cd

Conditions:

Number of c-planes: 4

Candela at center: 3351 cd

ISO LUX DIAGRAM



3%	1,01 lx
5%	1,68 lx
10%	3,35 lx
30%	10,1 lx
50%	16,8 lx

Conditions:

Number of c-planes: 4

Lux at center: 33,5 lx

Lux distribution on a surface when lamp is mounted at 10 meters from the surface.

Mounting height: 10 meters (33 feet)

Total lumen output:

379 lm

Peak candela output:

4386 cd



PRODUCT NAME:

LUMIPIX15IP

MEASUREMENT CONDITIONS:

Beam angle:

No filter

Target:

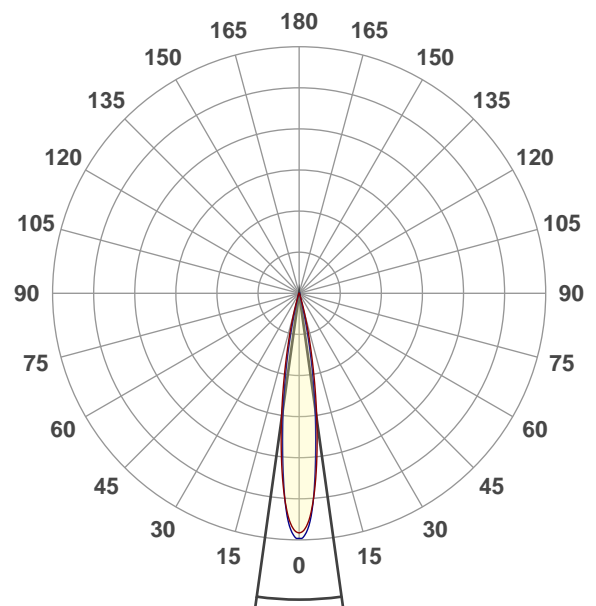
Blue

Operator:

Paolo Carvone

Date and time:

13/07/2020 12:36:49

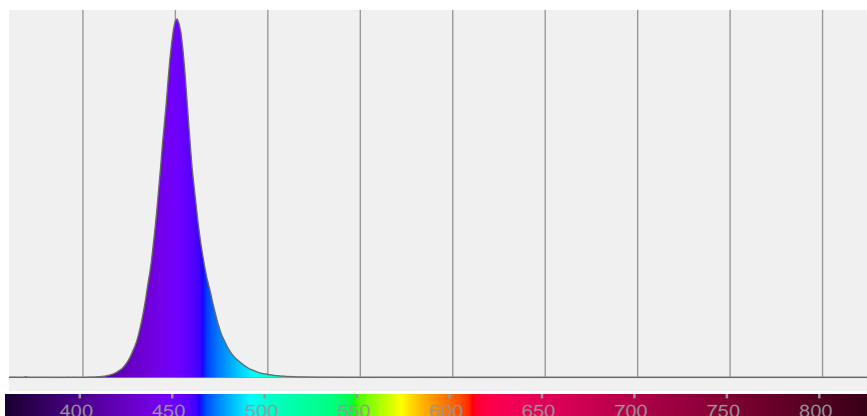


Beam angle 50%: 15,9°

Field angle 10%: 27,6°

Cut off angle 2.5%: 34,5°

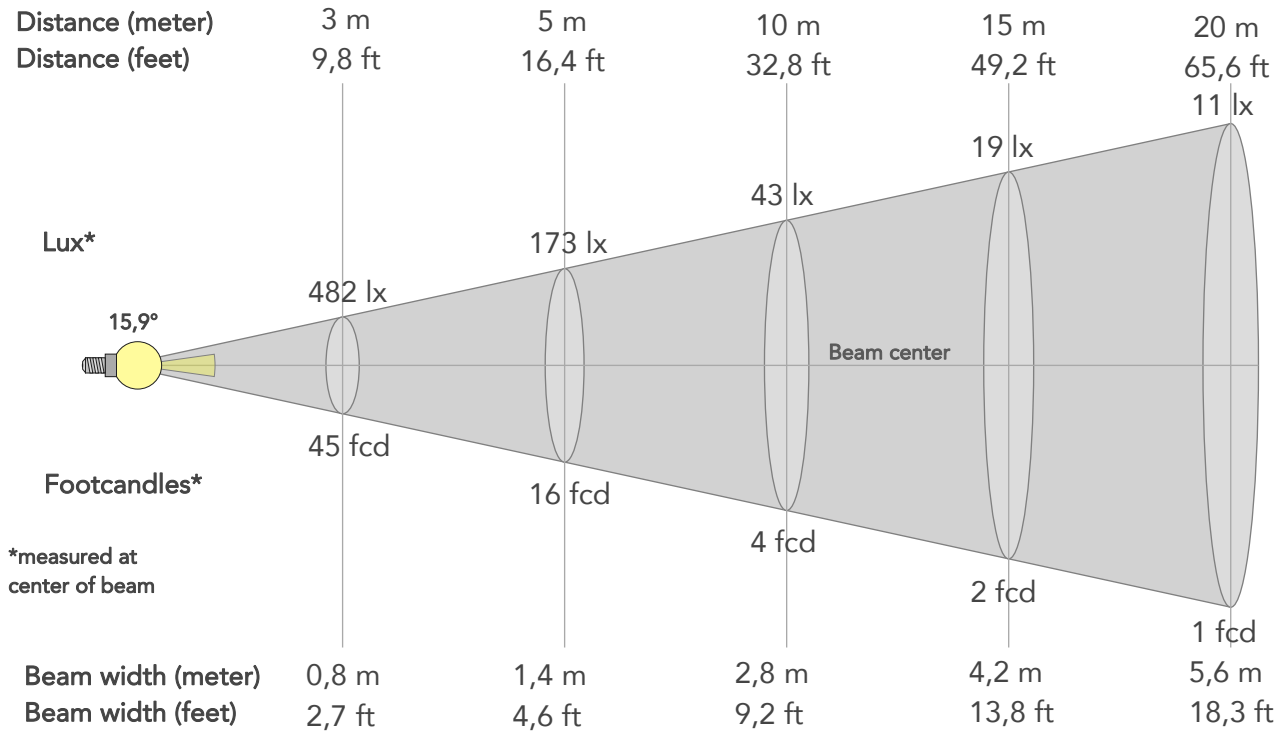
Spectra



BEAM DETAILS



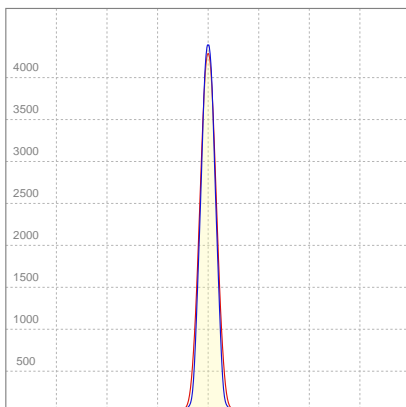
Beam angle 50%	Field angle 10%	Cut off angle 2,5%	Intensity ratio in 120° cone	Intensity ratio in 90° cone
15,9°	27,6°	34,5°	99,8%	99,1%



BEAM INTENSITIES AND WIDTHS

Distance	1m	2m	3m	4m	5m	7,5m	10m	15m	20m	25m	30m	40m	50m
Distance	3,3ft	6,6ft	9,8ft	13,1ft	16,4ft	24,6ft	32,8ft	49,2ft	65,6ft	82ft	98,4ft	131,2ft	164ft
Lux	4336lx	1084lx	482lx	271lx	173lx	77lx	43lx	19lx	11lx	7lx	5lx	3lx	2lx
Footcand.	403fcd	101fcd	45fcd	25fcd	16fcd	7fcd	4fcd	2fcd	1fcd	1fcd	0fcd	0fcd	0fcd
Beam wid.	0,3m	0,6m	0,8m	1,1m	1,4m	2,1m	2,8m	4,2m	5,6m	7m	8,4m	11,2m	14m
Beam wid.	0,9ft	1,8ft	2,7ft	3,7ft	4,6ft	6,9ft	9,2ft	13,8ft	18,3ft	22,9ft	27,5ft	36,7ft	45,9ft

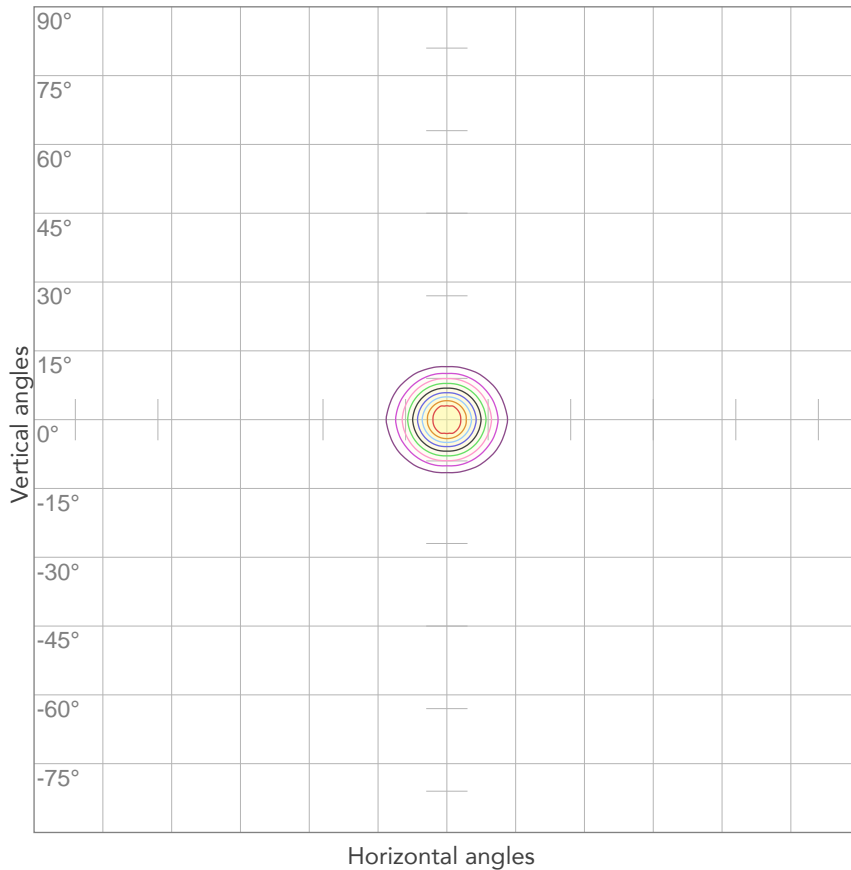
LINEAR DISTRIBUTION DIAGRAM



ELECTRICAL SPECIFICATIONS

Input voltage	Input current	Input power	Efficiency
225V	0,242A	42,9W	9lm/W

ISO CANDELA DIAGRAM



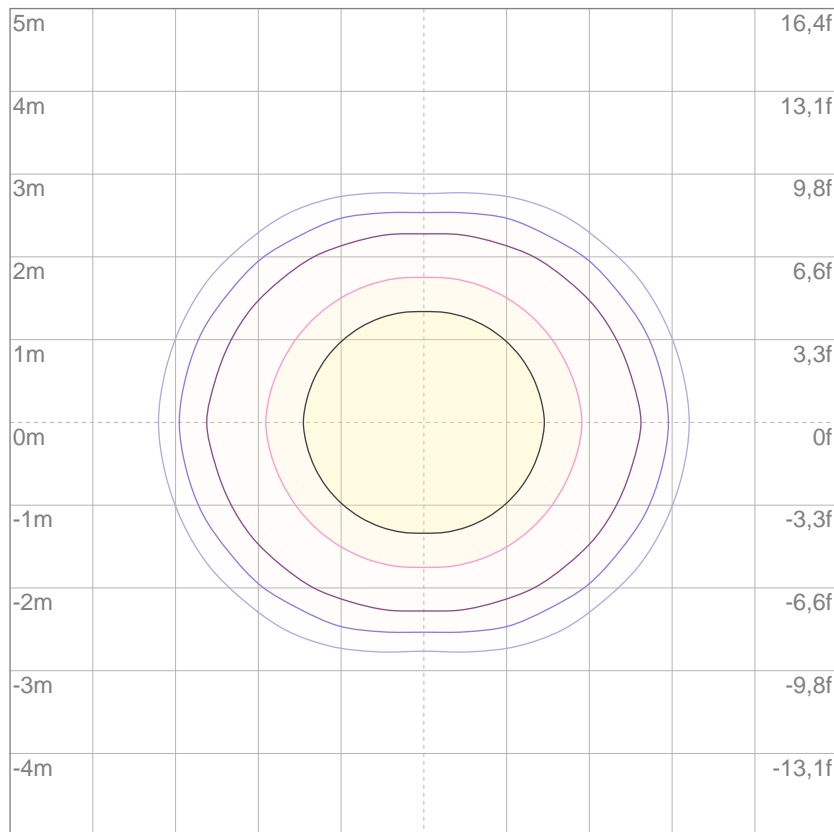
10%	434 cd
20%	867 cd
30%	1301 cd
40%	1734 cd
50%	2168 cd
60%	2602 cd
70%	3035 cd
80%	3469 cd

Conditions:

Number of c-planes: 4

Candela at center: 4336 cd

ISO LUX DIAGRAM



3%	1,30 lx
5%	2,17 lx
10%	4,34 lx
30%	13,0 lx
50%	21,7 lx

Conditions:

Number of c-planes: 4

Lux at center: 43,4 lx

Lux distribution on a surface when lamp is mounted at 10 meters from the surface.

Mounting height: 10 meters (33 feet)

Total lumen output:

1957 lm

Peak candela output:

17888 cd



PRODUCT NAME:

LUMIPIX15IP

MEASUREMENT CONDITIONS:

Beam angle:

Native Optic

Target:

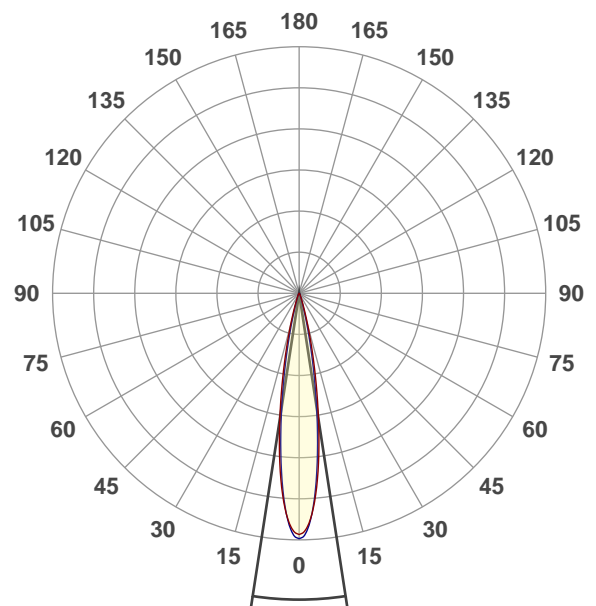
White

Operator:

Paolo Carvone

Date and time:

13/07/2020 12:15:35

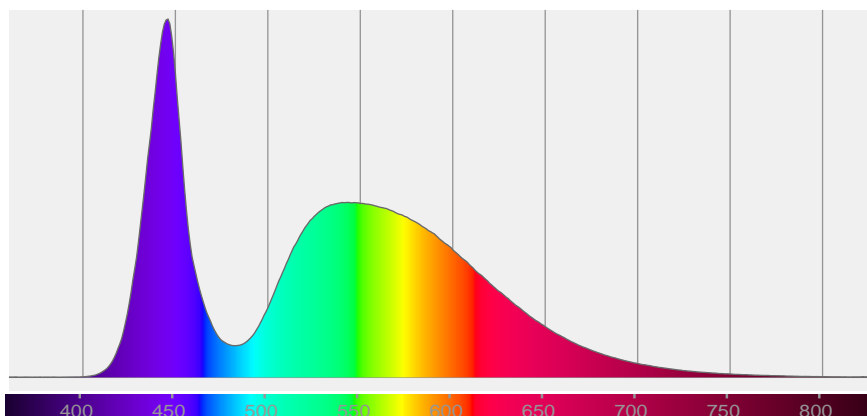


Beam angle 50%: 17,4°

Field angle 10%: 31,1°

Cut off angle 2.5%: 42,1°

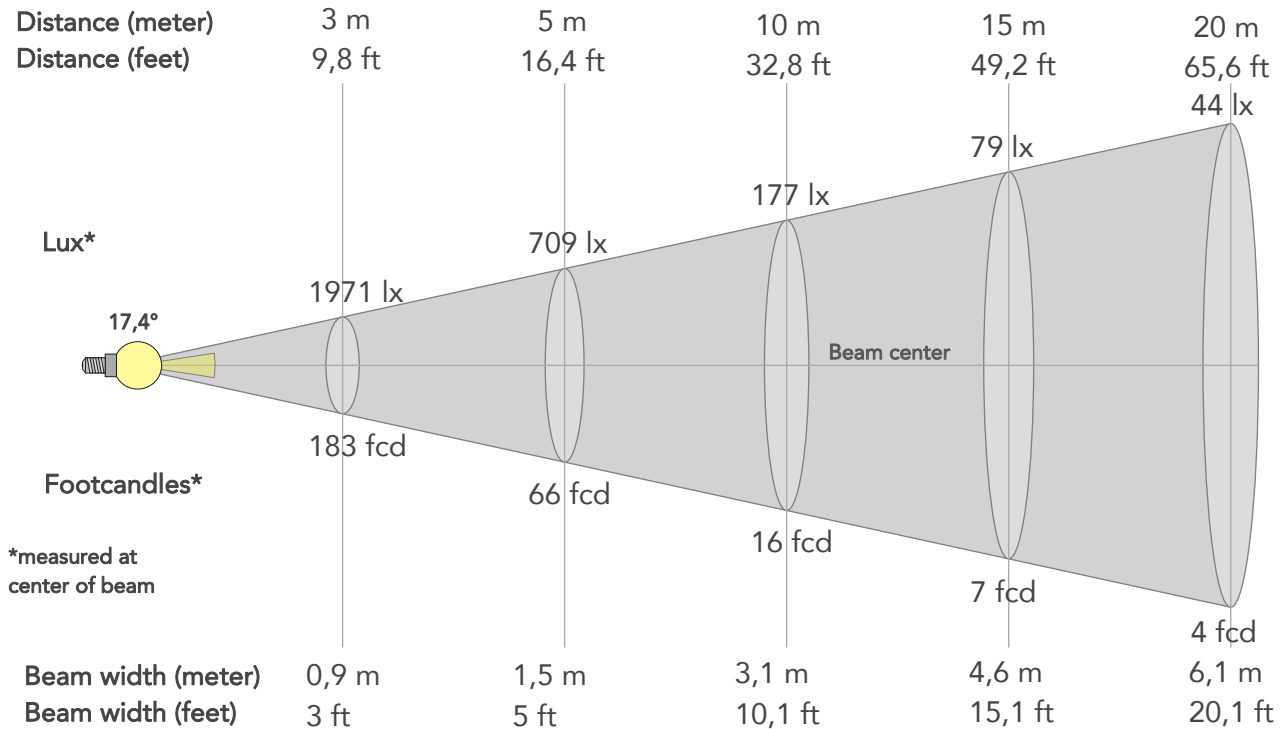
Spectra



BEAM DETAILS



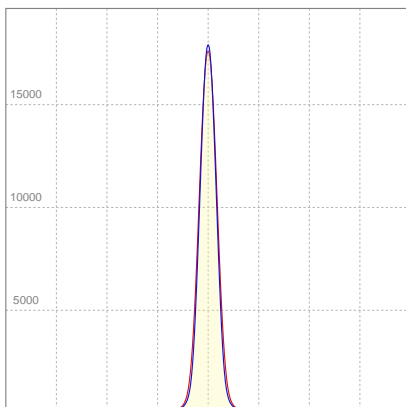
Beam angle 50%	Field angle 10%	Cut off angle 2,5%	Intensity ratio in 120° cone	Intensity ratio in 90° cone
17,4°	31,1°	42,1°	99,9%	99,5%



BEAM INTENSITIES AND WIDTHS

Distance	1m	2m	3m	4m	5m	7,5m	10m	15m	20m	25m	30m	40m	50m
Distance	3,3ft	6,6ft	9,8ft	13,1ft	16,4ft	24,6ft	32,8ft	49,2ft	65,6ft	82ft	98,4ft	131,2ft	164ft
Lux	17737lx	4434lx	1971lx	1109lx	709lx	315lx	177lx	79lx	44lx	28lx	20lx	11lx	7lx
Footcand.	1648fcd	412fcd	183fcd	103fcd	66fcd	29fcd	16fcd	7fcd	4fcd	3fcd	2fcd	1fcd	1fcd
Beam wid.	0,3m	0,6m	0,9m	1,2m	1,5m	2,3m	3,1m	4,6m	6,1m	7,7m	9,2m	12,3m	15,3m
Beam wid.	1ft	2ft	3ft	4ft	5ft	7,5ft	10,1ft	15,1ft	20,1ft	25,2ft	30,2ft	40,3ft	50,3ft

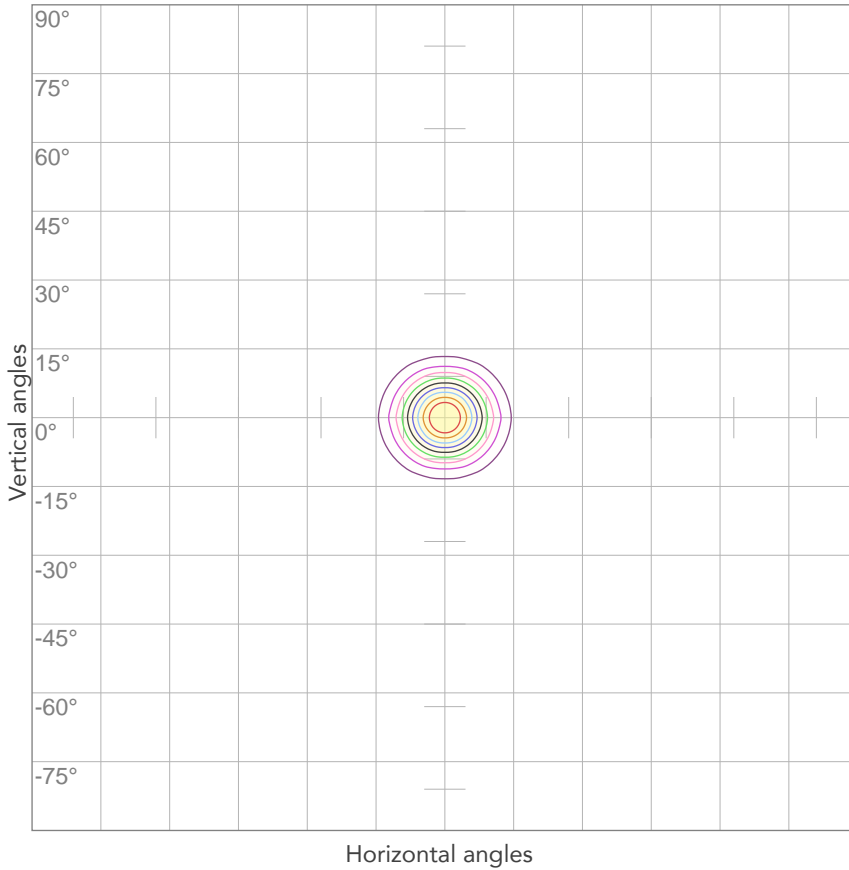
LINEAR DISTRIBUTION DIAGRAM



ELECTRICAL SPECIFICATIONS

Input voltage	Input current	Input power	Effeciency
225V	0,243A	42,9W	46lm/W

ISO CANDELA DIAGRAM



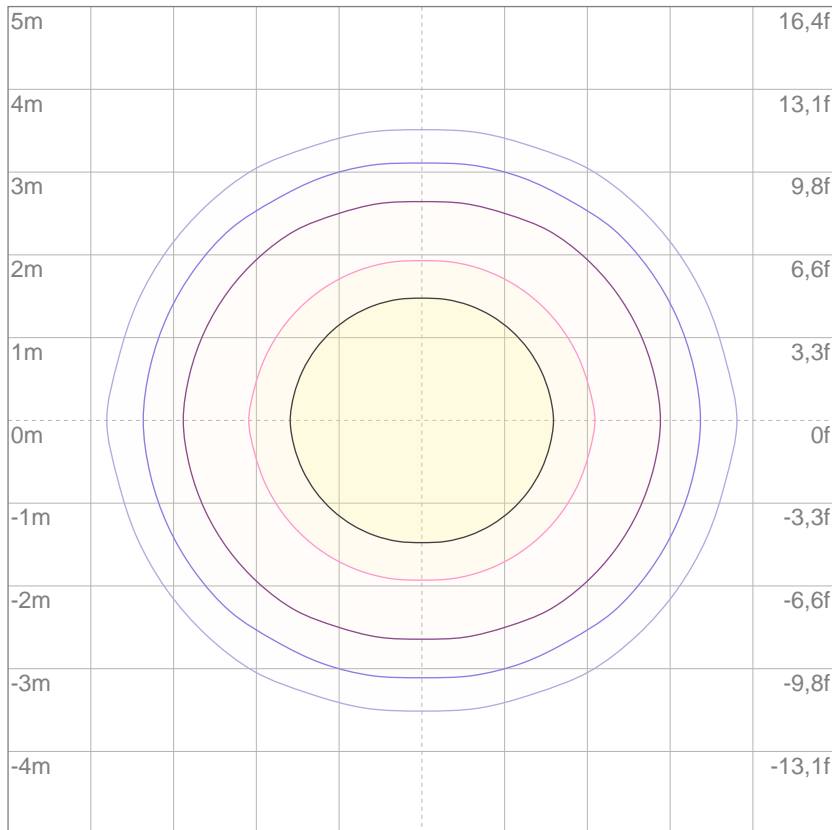
10%	1774 cd
20%	3547 cd
30%	5321 cd
40%	7095 cd
50%	8868 cd
60%	10642 cd
70%	12416 cd
80%	14190 cd

Conditions:

Number of c-planes: 4

Candela at center: 17737 cd

ISO LUX DIAGRAM



3%	5,32 lx
5%	8,87 lx
10%	17,7 lx
30%	53,2 lx
50%	88,7 lx

Conditions:

Number of c-planes: 4

Lux at center: 177 lx

Lux distribution on a surface when lamp is mounted at 10 meters from the surface.

Mounting height: 10 meters (33 feet)

Total lumen output:

2126 lm

Peak candela output:

23163 cd



PRODUCT NAME:

LUMIPIX15IP

MEASUREMENT CONDITIONS:

Beam angle:

No filter

Target:

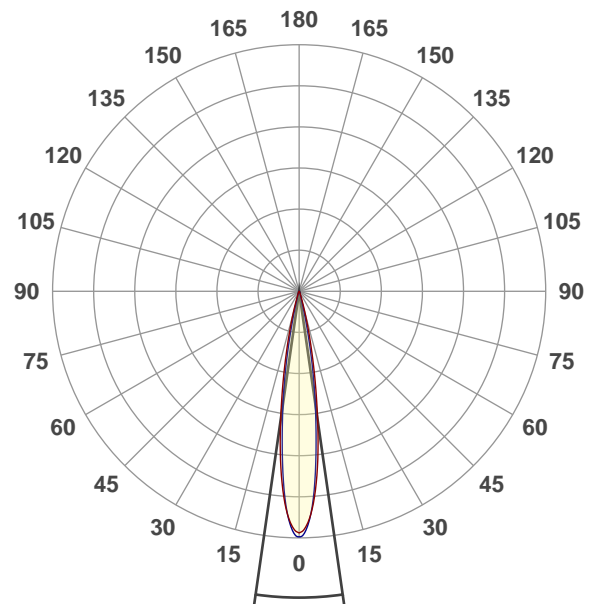
White

Operator:

Paolo Carvone

Date and time:

13/07/2020 12:39:03

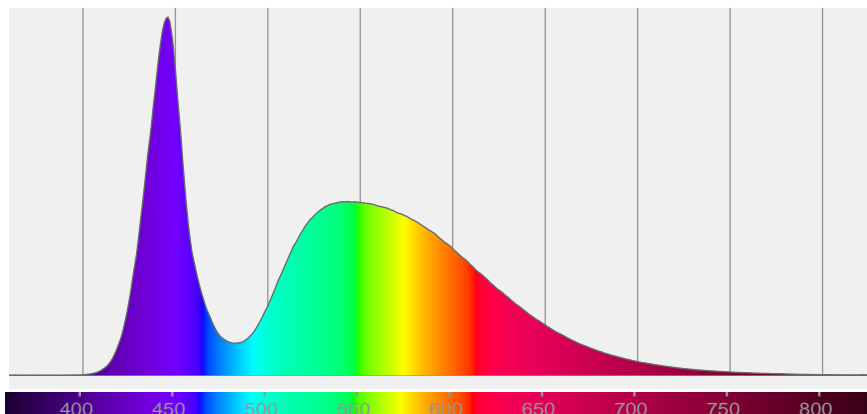


Beam angle 50%: 16,3°

Field angle 10%: 28,1°

Cut off angle 2.5%: 35,3°

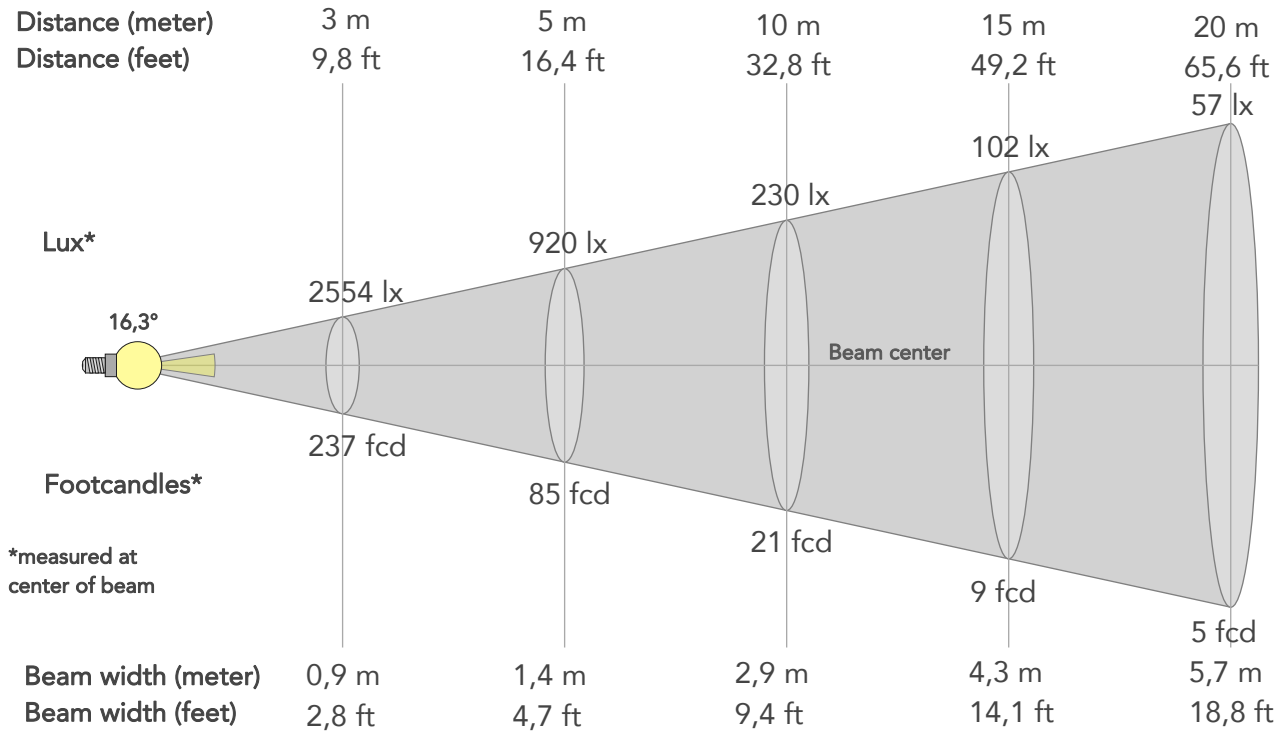
Spectra



BEAM DETAILS



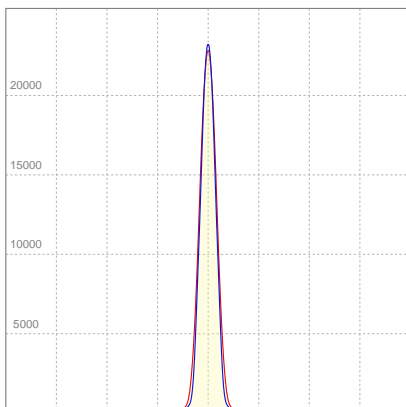
Beam angle 50%	Field angle 10%	Cut off angle 2,5%	Intensity ratio in 120° cone	Intensity ratio in 90° cone
16,3°	28,1°	35,3°	99,9%	98,9%



BEAM INTENSITIES AND WIDTHS

Distance	1m	2m	3m	4m	5m	7,5m	10m	15m	20m	25m	30m	40m	50m
Distance	3,3ft	6,6ft	9,8ft	13,1ft	16,4ft	24,6ft	32,8ft	49,2ft	65,6ft	82ft	98,4ft	131,2ft	164ft
Lux	22990lx	5748lx	2554lx	1437lx	920lx	409lx	230lx	102lx	57lx	37lx	26lx	14lx	9lx
Footcand.	2136fcd	534fcd	237fcd	133fcd	85fcd	38fcd	21fcd	9fcd	5fcd	3fcd	2fcd	1fcd	1fcd
Beam wid.	0,3m	0,6m	0,9m	1,1m	1,4m	2,2m	2,9m	4,3m	5,7m	7,2m	8,6m	11,5m	14,4m
Beam wid.	0,9ft	1,9ft	2,8ft	3,8ft	4,7ft	7,1ft	9,4ft	14,1ft	18,8ft	23,6ft	28,3ft	37,7ft	47,1ft

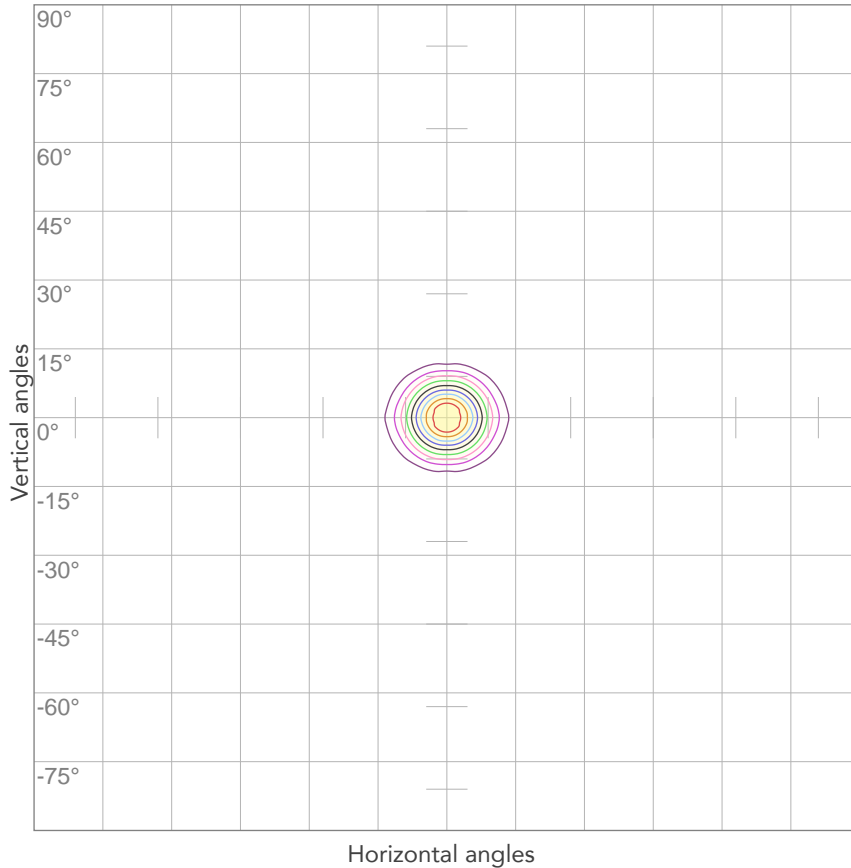
LINEAR DISTRIBUTION DIAGRAM



ELECTRICAL SPECIFICATIONS

Input voltage	Input current	Input power	Effeciency
226V	0,241A	42,8W	50lm/W

ISO CANDELA DIAGRAM

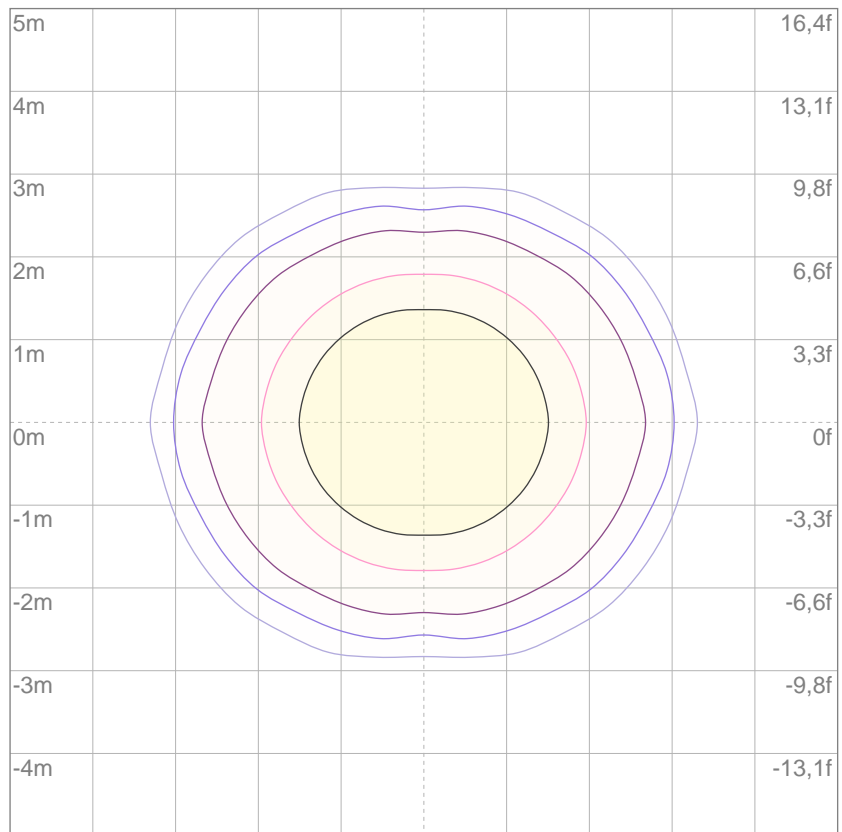


10%	2299 cd
20%	4598 cd
30%	6897 cd
40%	9196 cd
50%	11495 cd
60%	13794 cd
70%	16093 cd
80%	18392 cd

Conditions:

Number of c-planes: 4
Candela at center: 22990 cd

ISO LUX DIAGRAM



3%	6,90 lx
5%	11,5 lx
10%	23,0 lx
30%	69,0 lx
50%	115 lx

Conditions:

Number of c-planes: 4
Lux at center: 230 lx

Lux distribution on a surface when lamp is mounted at 10 meters from the surface.

Mounting height: 10 meters (33 feet)