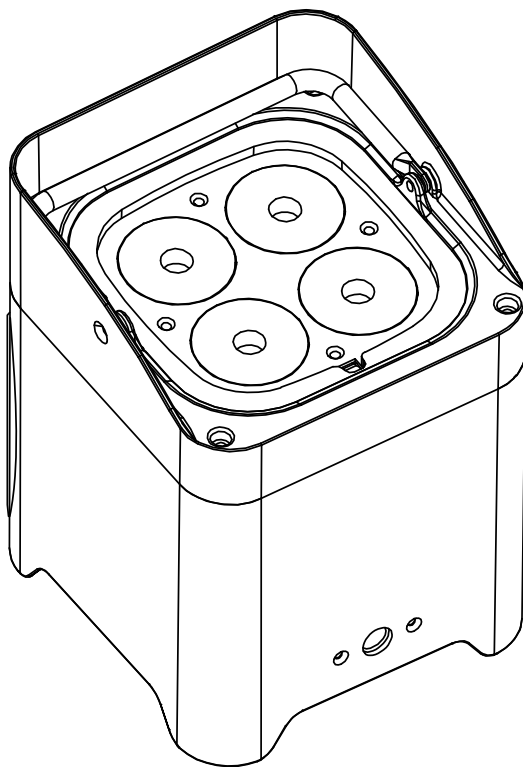


TRIBE®

SMARTBATIP

PORTABLE BATTERY-POWERED
UPLIGHTER



USER MANUAL
MANUALE UTENTE

All rights reserved by Music & Lights S.r.l. No part of this instruction manual may be reproduced in any form or by any means for any commercial use.

In order to improve the quality of products, Music&Lights S.r.l. reserves the right to modify the characteristics stated in this instruction manual at any time and without prior notice.
All revisions and updates are available in the 'manuals' section on site www.musiclights.it

TABLE OF CONTENTS

Safety

General instructions	2
Warnings and installation precautions	2

1 Introduction

1.1 Description	3
1.2 Technical specifications	3
1.3 Operating elements and connections	5

2 Installation

2.1 Mounting	6
--------------------	---

3 Functions and settings

3.1 Operation	7
3.2 Basic setup	7
3.3 Recharge	7
3.4 Menu structure	8
3.5 Auto Show	9
3.6 Static color	9
3.7 Manual color	9
3.8 Dimmer	9
3.9 Operation through the IRC controller	9
3.10 Master/Slave with wireless signal	11
3.11 Operation with app SmartColors	12
3.12 Operation with WIFIBOX	13
3.13 DMX mode	14
3.14 DMX addressing	14
3.15 DMX control	15

4 Maintenance

4.1 Maintenance and cleaning the unit	16
4.2 Fuse replacement	16
4.3 Troubleshooting	16

Packing content

- SMARTBATIP
 - Power cable
 - IR Remote controller
 - User manual
-




WARNING! Before carrying out any operations with the unit, carefully read this instruction manual and keep it with care for future reference. It contains important information about the installation, usage and maintenance of the unit.



SAFETY

General instruction

- The products referred to in this manual conform to the European Community Directives and are therefore marked with **CE**.
- The product comes with a rechargeable lithium battery (11,1V) for cable-free operation.
- The unit is supplied with hazardous network voltage (230V~). Leave servicing to skilled personnel only. Never make any modifications on the unit not described in this instruction manual, otherwise you will risk an electric shock.
- Connection of the power adapter must be made to a power supply system fitted with efficient earthing (Class I appliance according to standard EN 60598-1). It is, moreover, recommended to protect the supply lines of the units from indirect contact and/or shorting to earth by using appropriately sized residual current devices.
- The connection to the main network of electric distribution must be carried out by a qualified electrical installer. Check that the voltage correspond to those for which the unit is designed as given on the electrical data label.
- This unit is not for home use, only professional applications.
- Never use the fixture under the following conditions:
 - in places subject to vibrations or bumps;
 - in places subject to excessive humidity;
 - in places with a temperature of over 35 °C.
- Make certain that no inflammable liquids, water or metal objects enter the fixture.
- Do not dismantle or modify the fixture.
- All work must always be carried out by qualified technical personnel. Contact the nearest sales point for an inspection or contact the manufacturer directly.
- This product contains a lithium iron rechargeable battery. To protect the environment, please discard the battery at the end of its life cycle according to current law.
- If the unit is to be put out of operation definitively, take it to a local recycling  plant for a disposal which is not harmful to the environment.

Warnings and installation precautions

- If this device will be operated in any way different to the one described in this manual, it may suffer damage and the guarantee becomes void. Furthermore, any other operation may lead to dangers like short circuit, burns, electric shock, etc.
- Before starting any maintenance work or cleaning the projector, cut off power from the main supply.
- Always additionally secure the projector with the safety rope. When carrying out any work, always comply scrupulously with all the regulations (particularly regarding safety) currently in force in the country in which the fixture's being used.
- Install the fixture in a well ventilated place.
- Keep any inflammable material at a safe distance from the fixture.
- Shields, lenses or ultraviolet screens shall be changed if they have become damaged to such an extent that their effectiveness is impaired.
- The lamp (LED) shall be changed if it has become damaged or thermally deformed.
- Never look directly at the light beam. Please note that fast changes in lighting, e. g. flashing light, may trigger epileptic seizures in photosensitive persons or persons with epilepsy.
- Do not touch the product's housing when operating because it may be very hot.
- This product is not intended for permanent installation.

- 1 - INTRODUCTION

1.1 DESCRIPTION

SMARTBAT is a portable battery-powered uplighter designed as accent luminaire for all kind of events. SMARTBAT is equipped with a lithium battery pack and a built-in WiFi module for cable-free operation. The ultra-compact and lightweight design makes this projector truly portable and rechargeable countless times without “memory effect”. The internal battery has an autonomy for 12 hours in color change mode and up to 8 hours in full output, while the charging time is only 5 hours.

The light source is composed of 4x8W high-power RGBW LEDs / fullcolor for a color calibration in the full-spectrum and the extractable foot allows you to adjust the angle of the beam to assist tracking operations. Moreover its IP54 protection makes it suitable for outdoor use. The transmission of the DMX signal is via WiFi technology, the transmission unit WIFIBOX is compatible with any DMX controller or through the application SMARTCOLORS available for any Android or IOS smartphone.

1.2 TECHNICAL SPECIFICATIONS

Light source and optics

- 4x8W RGBW/FC LED
- Lux @ 3 m: 980
- Energy-saving LEDs featuring more vivid colours and lower power consumption compared to traditional lamps
- Colour synthesis: RGBW/FC color mixing (>16 million colours) for a limitless colour range
- White temperature presets: 3200K~10000K
- Beam angle: 15°
- Field angle: 30°
- LEDs average life span: >50'000 h

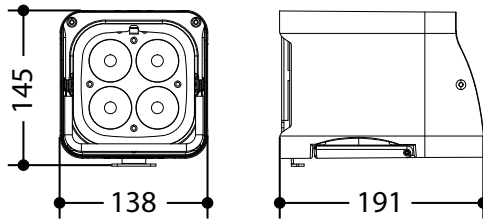
Electronics and features

- Several DMX selectable configurations (4, 6, 10 channels) for advanced or basic controlling
 - 4 channels: RGBW
 - 6 channels: dimmer, RGBW, strobe
 - 10 channels: dimmer, RGBW, macro, strobo, auto programs, programs speed, dimmer curve
- WDMX: Built-in Wifi receiver
- IR controller: infra-red sensor controlled by remote
- 4 char LED display user interface for auto programs execution, static colour mode, creation of custom shows
- 4 different dimming curves available
- Auto mode: built-in programs with execution speed adjustment
- Manual color mode: manual adjustment of color
- Static colour mode: selection of static colour
- Master/Slave mode for stand-alone operations of more units
- Linear and “stepless” transition between DMX values
- Flicker free operations (400Hz)
- Silent operations, due to natural cooling of the peculiar chassis and to absence of fans

Structure and Power supply

- Protection: IP54
- Sturdy die-cast aluminium body conceived for long-time durability and demanding applications
- Tempered glass front panel

- Battery: 11.1V Lithium
- Battery autonomy: 12 hours (color change mode), 8 hours (permanent white full-on)
- Recharge time: 5 hours max
- Load/Storage battery switch
- Ergonomic carrying handle for transportation and positioning
- Adjustable foot support for tilt regulation (up to 20°)
- Power unit: 100-240V 50/60Hz VDE input
- Working temperature: 0/+35°
- Weight: 3,6 kg
- Dimensions (WxHxD): 138x191x145 mm



Technical drawing

Fig.1

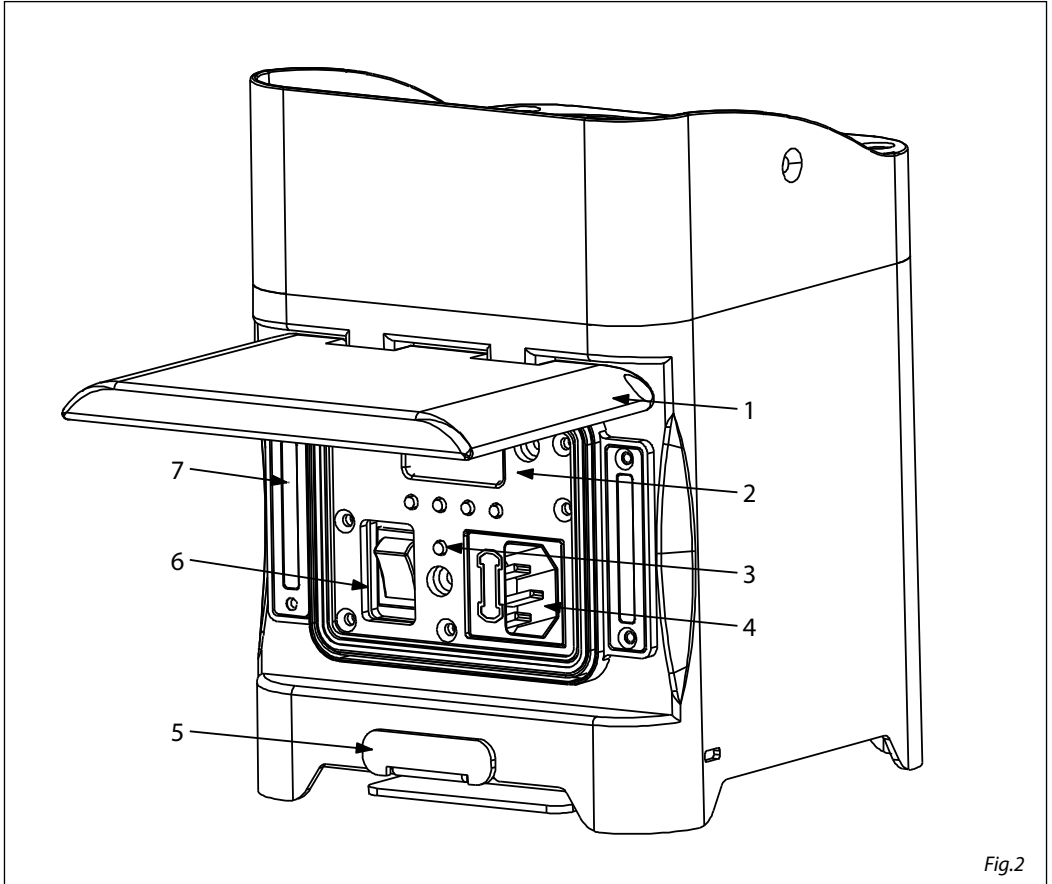
1.3 OPERATING ELEMENTS AND CONNECTIONS

Fig.2

1. SAFETY DOOR for control panel and connections
2. CONTROL PANEL with display and 4 button used to access the control panel functions and manage them.
3. AUTO SYNC/ CLEAR button for WiFi mode
4. POWER IN mains plug for connection to a socket (100-240V~/50/60Hz) via the supplied mains cable. The support for the mains fuse is located near the mains plug. Only replace a blown fuse by one of the same type.
5. Adjustable foot support for tilt regulation (up to 20°).
6. SWITCH ON/OFF
7. MAGNET for safety door

- 2 - INSTALLATION

2.1 MOUNTING

SMARTBATIP may be set up on a solid and even surface. The unit can also be mounted upside down to a cross arm. For fixing, stable mounting clips are required. The mounting place must be of sufficient stability and be able to support a weight of 10 times of the unit's weight.

When carrying out any installation, always comply scrupulously with all the regulations (particularly regarding safety) currently in force in the country in which the fixture's being used.

IMPORTANT

Always additionally secure the projector with the safety rope from falling down. For this purpose, fasten the safety rope at a suitable position so that the maximum fall of the projector will be 20 cm.

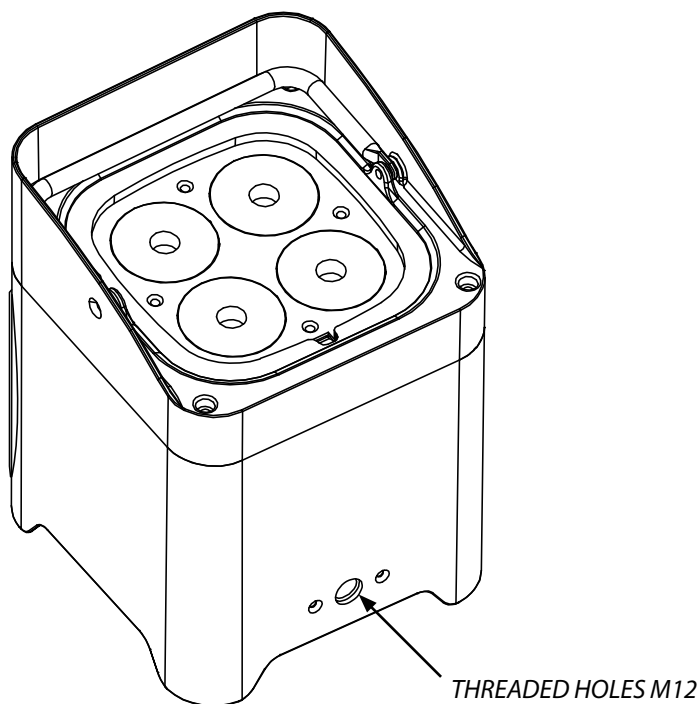


Fig.3

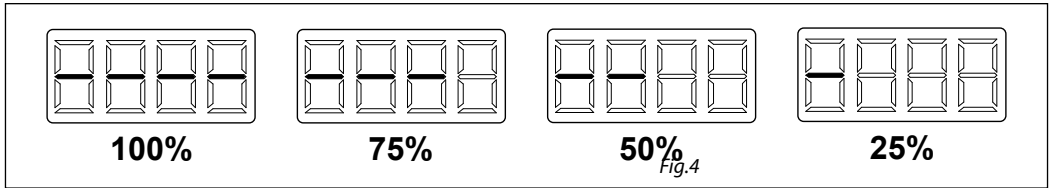
- 3 - FUNCTIONS AND SETTINGS

3.1 OPERATION

Switch on the SMARTBATIP with the power switch (If the battery charge is very low, connect the supplied main cable to a socket (100-240V~/50-60Hz).). The unit is ready for operation and can be operated via a controller or it independently performs its show program in succession.

After operation, switch off the unit with the power switch.

NOTE - The battery life indicators are the 4 small red LEDs on the display. The indicators show how much battery life remains available



3.2 RECHARGE

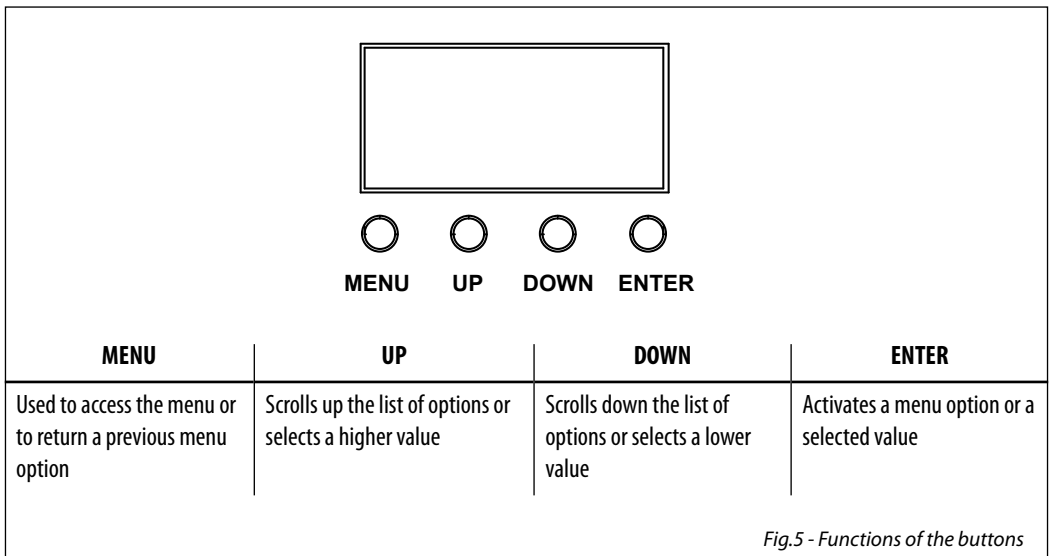
To recharge SMARTBATIP, plug the power cable into a mains socket (100-240V~ / 50-60Hz). During charging the LED indicates to show that the battery is charging.

The charging time are 5 hours and autonomy is 12 hours (color change mode) or 8 hours (permanent white full-on).

NOTE - The battery charges whenever the product is plugged into a power source. If the product is plugged in and not in operation, make sure the ON/OFF switch is in the OFF position.

3.3 BASIC SETUP

The SMARTBATIP has a LED display and 4 buttons for access to the functions of the control panel (fig.5).



3.4 MENU STRUCTURE

MENU					
1	DMX Personality and Starting Address	4 CH	⇒	d1 - d512	Selects DMX personality and DMX starting value
		6 CH	⇒	d1 - d512	
		10 CH	⇒	d1 - d512	
2	Static Colors	C--	⇒	C1 - C15	Selects 1 of 15 static colors
3	Auto Programs	P--	⇒	P1 - P4	Selects 1 of 4 auto programs
4	Programs Speed	S--	⇒	S1 - S100	Sets auto program speed (slow to fast)
5	Custom Color Mixing	U--	⇒	r0 - r255	Red (0-100%)
			⇒	g0 - g255	Green (0-100%)
			⇒	b0 - b255	Blue (0-100%)
			⇒	W0 - W255	White (0-100%)
6	Dimmer	dIM	⇒	OFF	OFF: Dimmer speed off
			⇒	dIM1	DIM1: Dimmer speed fast
			⇒	dIM2	DIM2: Dimmer speed middle
			⇒	dIM3	DIM3: Dimmer speed slow
7	Infrared	SET	⇒	ON	Turns infrared on or off
			⇒	OFF	
8	2.4GHz WiFi Setting	S-tr	⇒	drAS	Automatically select receive frequency
			⇒	drCH	Manually select receive frequency
			⇒	dtAS	Automatically select transmit frequency
			⇒	dtCH	Manually select transmit frequency

3.5 AUTO SHOW

This fixture has a built-in automatic program. To access this, please see the below instructions:

- Press the button MENU so many times until shows **P--**, then press the button ENTER.
- Using UP/DOWN button, select one of the programs **P1 - P4**.
- Press the button ENTER to confirm.
- Press the button MENU until **S--** appears on the display.
- Use the button UP/DOWN to select the auto programs speed **S001 - S100** (slow-fast).
- Press the button ENTER save the setting.

3.6 STATIC COLOR

This fixture has the ability to accept custom static color settings. Access these chases via the control panel on the back of the fixture.

- Press the button MENU so many times until shows **C--**, then press the button ENTER.
- Using UP/DOWN button, select one of the programs **C1 - C15**.
- Press the button ENTER to confirm.
- Press the MENU button to go back or to meet the waiting time to exit the setup menu.

3.7 MANUAL COLOR

This mode allows to combine the colors red, green, blue amber white and purple (**r, g, b, W**).

- Press the button MENU so many times until the display shows **U--**, then press the button ENTER.
- Select the color **r, g, b, W** through the buttons UP/DOWN.
- Press the button ENTER to confirm.
- Using UP/DOWN button, select the desired color value **000 - 255**.
- Press ENTER button to continue to the next color.
- Continue until the desired mix is obtained.
- Press the MENU button to go back or to meet the waiting time to exit the setup menu.

3.8 DIMMER

- Enter in Dimmer mode to select specific dimming curve, press the button MENU so many times until shows **dim**, and press the button ENTER to confirm.
- Press the button UP/DOWN to select **OFF - dim1 - dim2 - dim3**.
- Press ENTER button to store.
- Press the MENU button to go back or to meet the waiting time to exit the setup menu.

3.9 OPERATION THROUGH THE IRC CONTROLLER

To control the SMARTBATIP with the infrared remote control:

- Press the button MENU repeatedly until **SET**, then press button ENTER to confirm.
- Using UP/DOWN button to select **On** or **OFF** to enable or disable the infrared remote control.
- Press the button ENTER to confirm the chose.

NOTE - Make sure to point the controller directly at the receiver on the product.

Automatic Mode

Automatic Mode will enable you to run the automatic programs on the product.

To turn on Automatic Mode:

1. Press AUTO on the controller.

2. Press + or – to choose between the different auto programs.

To adjust the speed of the automatic program:

3. Press SPEED on the controller.
4. Press %.
5. Press + or – to either increase or decrease the speed of the program.

Manual Color Control

To choose a specific color with the controller:

1. Press MANUAL on the controller.
2. Press any number between 0-9 to choose your color.

To manually control the RGB percentage:

3. Press MANUAL on the controller.
4. Press R, G, or B to choose your color.
5. Press + or – to increase or decrease the percentage of each color.

Miscellaneous Operation

To adjust the strobe rate of the program:

1. Press STROBE on the controller.
2. Press + or – to increase or decrease the strobe rate.
3. Press STROBE again to turn off the strobe.

To change the switching effect of the program:

- Press FADE/SNAP on the controller.
- Fade will slowly switch the effect. Snap will rapidly switch the effect.

To black out the lights:

- Press BLACK OUT on the controller.
- This will turn off all the lights until the button is pressed again.

NOTE - The controller will not respond to any inputs when Black Out is activated. If the remote does not respond when a button is pressed, try pressing BLACK OUT. You may have inadvertently activated BLACK OUT.

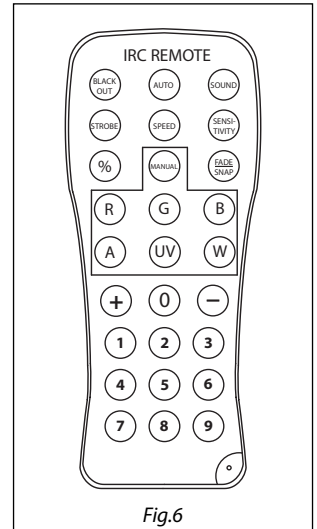
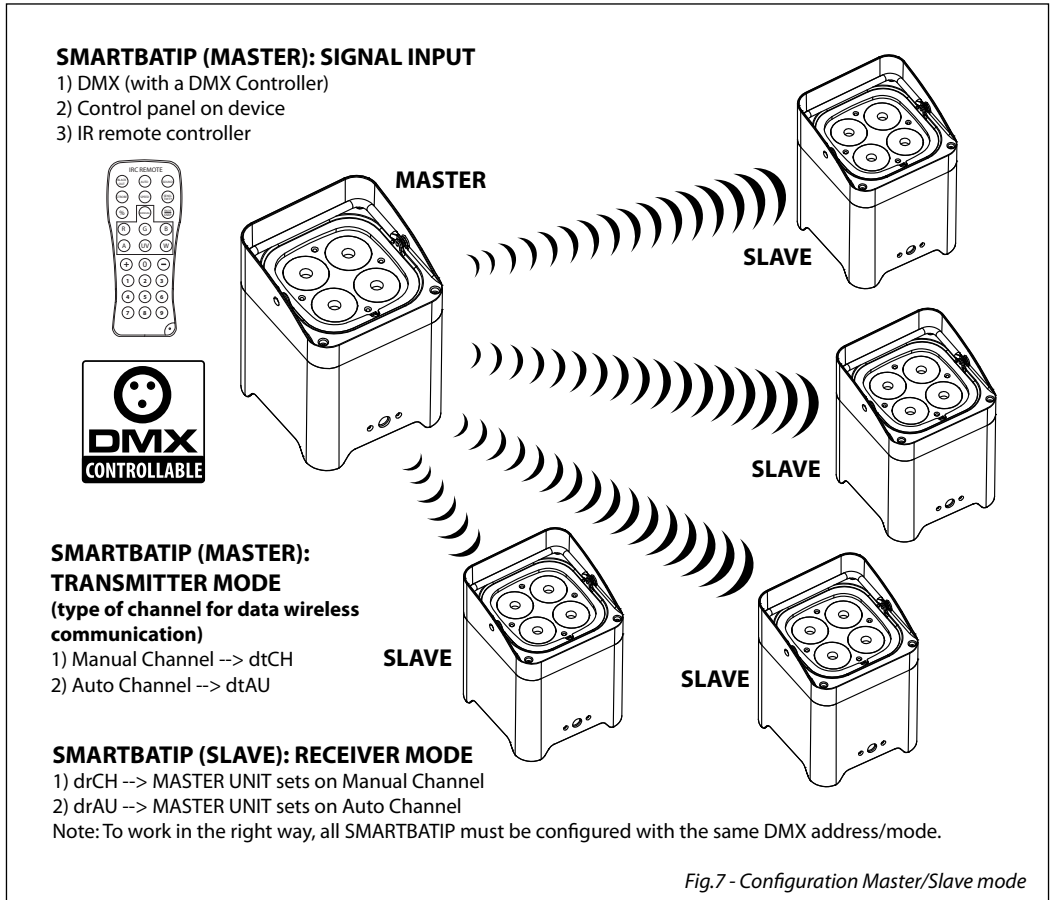


Fig.6

3.10 MASTER/SLAVE MODE WITH WIRELESS SIGNAL

This mode allows you to wirelessly connect more units SMARTBATIP, without a controller. The first unit, transmitter signal, it will be set as master and the others, receivers, as slave.

Wireless communication between devices can be configured in two ways:



Manual transmit/receive mode

On Master unit:

- Press the MENU button so many times until the display shows **S-tr** then press the ENTER button.
- Press the UP/DOWN button and select **dtCH**. Press the ENTER button to confirm.
- Press the UP/DOWN button, select one of the transmitting signal **dt 1 - dt 16**.
- Press the ENTER button for save the setting.

On Slave unit:

- Press the MENU button so many times until the display shows **S-tr**. Press the ENTER button to confirm.
- Press the UP/DOWN button and select **drCH**. Press the ENTER button to confirm.
- Press the UP/DOWN button, select one of the transmitting signal **dr 1 - dr 16**.
- Press the ENTER button for save the setting.

Auto transmit/receive mode

On Master unit:

- Press the MENU button so many times until the display shows **S-tr** then press the ENTER button.
- Press the UP/DOWN button and select **dtAS**. Press the ENTER button to confirm.
- Press the ENTER button again to confirm **dtAU**.

On Slave unit:

- Press the MENU button so many times until the display shows **S-tr**.
- Press the ENTER button to confirm.
- Press the UP/DOWN button and select **drAS**.
- Press the ENTER button to confirm.
- Press the ENTER button again to confirm **drAU**.

On Master unit:

- Hold the AUTO button.

On Slave unit:

- Hold the AUTO button (always hold AUTO button on Master unit).
- Wait 5 seconds and release the AUTO button on Slave unit.

NOTE - Use any one of the standalone modes for the master unit. Set the slaves to the same DMX modes.

3.11 OPERATION WITH APP “SMARTCOLORS”

Important: WIFIBOX hardware is required to use this app.

WIFIBOX is a new-generation light control system, conceived to obtain an easy and versatile platform for LED projectors. The signal transmission is managed wired and wireless (through Wi-Fi), both in input and output, even allowing to control the fixtures through a smartphones applications “Smarcolors”, available for IOS and Android devices.

Before using the application, check that all devices are properly configured with WIFIBOX. For device's configuration refer to the WIFIBOX manual available on “www.musiclights.it”.

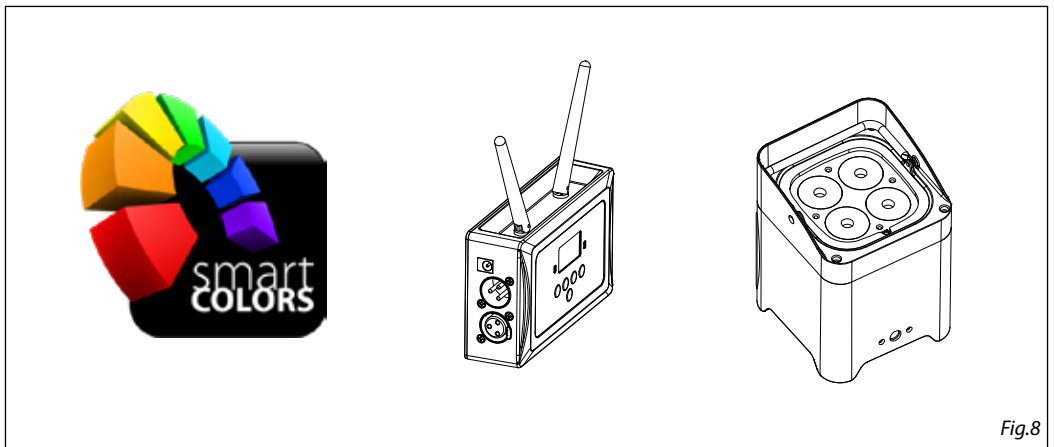
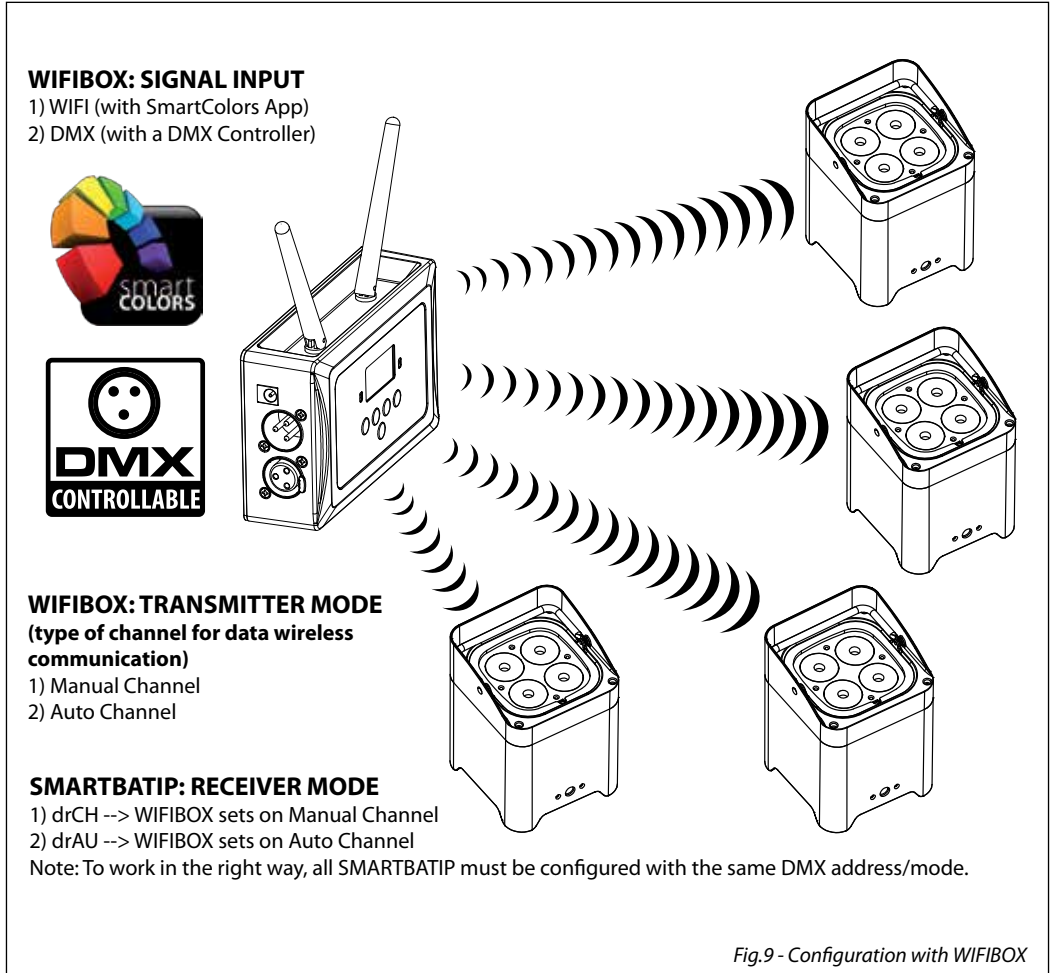


Fig.8

3.12 OPERATION WITH WIFIBOX

This mode allows you to wirelessly connect more units SMARTBATIP, all managed through a unit WIFIBOX (sold separately). For the unit WIFIBOX, transmitter signal, will set the input signal, WIFI or DMX. For the configuration of the devices refer to the manual of WIFIBOX available on "www.musiclights.it".



3.13 DMX MODE

- Press the button MENU so many times until shows, **CH4**, **CH6** or **CH10** and press the button ENTER to confirm.
- Press the button UP/DOWN to select the desired DMX address **d001 - d512**. Press and hold to scroll quickly. Press ENTER button to store.

The tables on page 16 indicate the operating mode and DMX value. The SMARTBATIP is equipped with 3 pole XLR connections.

3.14 DMX ADDRESSING

To able to operate the SMARTBATIP with a light controller, adjust the DMX start address for the first a DMX channel. If e. g. address 33 on the controller is provided for controlling the function of the first DMX channel, adjust the start address 33 on the SMARTBATIP.

The other functions of the light effect panel are then automatically assigned to the following addresses. At the next page an example with the start address 33 is shown below:

Number of DMX channels	Start address (example)	DMX Address occupied	Next possible start address for unit No. 1	Next possible start address for unit No. 2	Next possible start address for unit No. 3
4	33	33-36	37	41	45
6	33	33-38	39	45	51
10	33	33-42	43	53	63

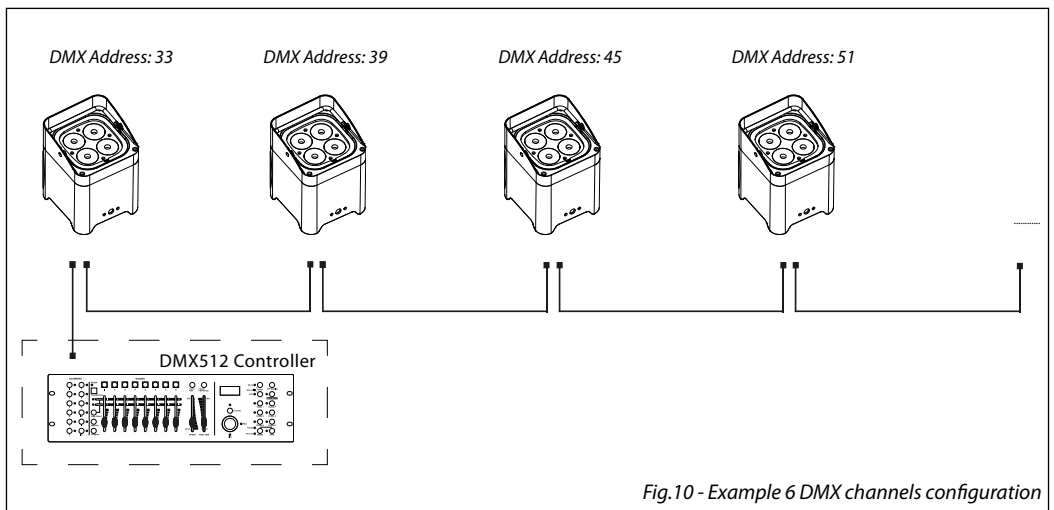


Fig.10 - Example 6 DMX channels configuration

3.15 DMX CONTROL

10 CHANNELS

MODE 10 Ch	FUNCTION	DMX Value
1	DIMMER 0~100%	000 - 255
2	RED 0~100%	000 - 255
3	GREEN 0~100%	000 - 255
4	BLUE 0~100%	000 - 255
5	WHITE 0~100%	000 - 255
6	COLOR MACRO + COLOR TEMPERATURE No Function R: 100% / G: 0-100% / B: 0% R: 100-0% / G: 100% / B: 0% R: 0% / G: 100% / B: 0-100% R: 0% / G: 100-0% / B: 100% R: 0-100% / G: 0% / B: 100% R: 100% / G: 0% / B: 100-0% R: 100% / G: 0-100% / B: 0-100% R: 100-0% / G: 100-0% / B: 100% R: 100% / G: 100% / B: 100% / W: 100% Color temperature 1 Color temperature 2 Color temperature 3 Color temperature 4 Color temperature 5 Color temperature 6 Color temperature 7 Color temperature 8 Color temperature 9 Color temperature 10 Color temperature 11	000 - 010 011 - 030 031 - 050 051 - 070 071 - 090 091 - 110 111 - 130 131 - 150 151 - 170 171 - 200 201 - 205 206 - 210 211 - 215 216 - 220 221 - 225 226 - 230 231 - 235 236 - 240 241 - 245 246 - 250 251 - 255
7	STROBE No Function Strobe slow to fast	000 - 010 011 - 255
8	AUTO PROGRAMS No Function Auto Program 1 Auto Program 2 Auto Program 3 Auto Program 4	000 - 010 011 - 060 061 - 120 121 - 180 181 - 255

MODE 10 Ch	FUNCTION	DMX Value
9	AUTO SPEED Speed slow to fast	000 - 255
10	DIM MODE Preset dimmer speed from display menu Dimmer speed mode off Dimmer speed mode1 (fast speed) Dimmer speed mode2 (middle speed) Dimmer speed mode3 (slow speed)	000 - 051 052 - 101 102 - 152 153 - 203 204 - 255

6 CHANNELS

MODE 6 Ch	FUNCTION	DMX Value
1	DIMMER 0~100%	000 - 255
2	RED 0~100%	000 - 255
3	GREEN 0~100%	000 - 255
4	BLUE 0~100%	000 - 255
5	WHITE 0~100%	000 - 255
6	STROBE No Function Strobe slow to fast	000 - 010 011 - 255

4 CHANNELS

MODE 4 Ch	FUNCTION	DMX Value
1	RED 0~100%	000 - 255
2	GREEN 0~100%	000 - 255
3	BLUE 0~100%	000 - 255
4	WHITE 0~100%	000 - 255

- 4 - MAINTENANCE

4.1 MAINTENANCE AND CLEANING THE UNIT

- Make sure the area below the installation place is free from unwanted persons during setup.
- Switch off the unit, unplug the main cable and wait until the unit has cooled down.
- All screws used for installing the device and any of its parts should be tightly fastened and should not be corroded.
- Housings, fixations and installation spots (ceiling, trusses, suspensions) should be totally free from any deformation.
- The main cables must be in impeccable condition and should be replaced immediately even when a small problem is detected.
- It is recommended to clean the front at regular intervals, from impurities caused by dust, smoke, or other particles to ensure that the light is radiated at maximum brightness. For cleaning, disconnect the main plug from the socket. Use a soft, clean cloth moistened with a mild detergent. Then carefully wipe the part dry. For cleaning other housing parts use only a soft, clean cloth. Never use a liquid, it might penetrate the unit and cause damage to it.

4.2 FUSE REPLACEMENT

1. Disconnect this product from the power outlet.
2. Remove the safety cap by a screwdriver.
3. Replace the blown fuse with a fuse of the exact same type and rating.
4. Install the safety cap, and reconnect power.

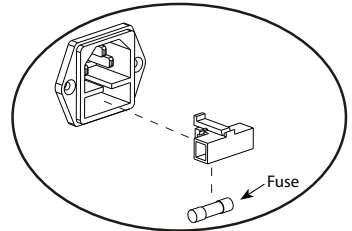


Fig.11

4.3 TROUBLESHOOTING

Problems	Possible causes	Checks and remedies
Fixture does not light up	<ul style="list-style-type: none"> • No mains supply • Dimmer fader set to 0 • All color faders set to 0 • Faulty LED • Faulty LED board 	<ul style="list-style-type: none"> • Check the power supply voltage • Increase the value of the dimmer channels • Increase the value of the color channels • Replace the LED board • Replace the LED board
General low light intensity	<ul style="list-style-type: none"> • Dirty lens assembly • Misaligned lens assembly 	<ul style="list-style-type: none"> • Clean the fixture regularly • Install lens assembly properly
Fixture does not power up	<ul style="list-style-type: none"> • No power • Loose or damaged power cord • Faulty internal power supply 	<ul style="list-style-type: none"> • Check for power on power outlet • Check power cord • Replace internal power supply
Fixture does not respond to DMX	<ul style="list-style-type: none"> • Wrong DMX addressing • Damaged DMX cables • Bouncing signals 	<ul style="list-style-type: none"> • Check control panel and unit addressing • Check DMX cables • Install terminator as suggested

Contact an authorized service center in case of technical problems or not reported in the table can not be resolved by the procedure given in the table.

Battery Guide

New Lithium Battery Initialisation

Any new fixture containing a Lithium battery should be initialised when first purchased to maximise its battery life.

To do this:

1. Fully charge the unit for a minimum of 5 to 6 hours.
 2. Fully discharge, then fully recharge the battery.
 3. Repeat this cycle another 2 times for optimum battery life.
-

Maximizing Battery Performance

1. Lithium batteries perform best when in regular use. Long idle periods will reduce the battery life.
 2. Recharge the battery at the earliest opportunity, leaving batteries discharged for long periods will reduce battery life.
 3. Store units containing Lithium batteries at cool temperatures. High ambient temperatures significantly reduce the life of a Lithium battery.
 4. Disconnect power from the unit when charging is complete.
 5. Do not use fixtures whilst charging.
-

Long term storage

1. Charge your fixture's battery to around 50%. If you store a fixture with a fully discharged battery, it could fall into a deep discharge state. If you store it fully charged, the battery may lose some capacity, leading to shorter battery life.
2. Power down the device to avoid additional battery use.
3. Place your device in a cool, moisture-free environment that's less than 32° C (90° F).

Music & Lights S.r.l. si riserva ogni diritto di elaborazione in qualsiasi forma delle presenti istruzioni per l'uso.
La riproduzione - anche parziale - per propri scopi commerciali è vietata.

Al fine di migliorare la qualità dei prodotti, la Music&Lights S.r.l. si riserva la facoltà di modificare, in qualunque momento e senza preavviso, le specifiche menzionate nel presente manuale di istruzioni. Tutte le revisioni e gli aggiornamenti sono disponibili nella sezione 'Manuali' sul sito www.musiclights.it

INDICE	Sicurezza	
	Avvertenze generali	4
	Attenzioni e precauzioni per l'installazione	4
	1 Introduzione	
	1. 1 Descrizione	5
	1. 2 Specifiche tecniche	5
	1. 3 Elementi di comando e di collegamento	7
	2 Installazione	
	2. 1 Montaggio	8
	3 Funzioni e impostazioni	
	3. 1 Funzionamento	9
	3. 2 Impostazione base	9
	3. 3 Processo di ricarica	9
	3. 4 Struttura menu	10
	3. 5 Auto Show	11
	3. 6 Static color	11
	3. 7 Manual color	11
	3. 8 Funzione dimmer	11
	3. 9 Funzionamento tramite il controller IRC	11
	3. 10 Modalità Master/Slave con segnale wireless	13
	3. 11 Funzionamento con l'App SmartColors	14
	3. 12 Funzionamento con WIFIBOX	15
	3. 13 Modalità DMX	16
	3. 14 Indirizzamento DMX	16
	3. 15 Canali DMX	17
	4 Manutenzione	
	4. 1 Manutenzione e pulizia del sistema ottico	18
	4. 2 Sostituzione fusibile	18
	4. 3 Risoluzione dei problemi	18

Contenuto dell'imballo:	<ul style="list-style-type: none">• SMARTBATIP• Cavo di alimentazione• Telecomando IR• Manuale utente
--------------------------------	--




ATTENZIONE! Prima di effettuare qualsiasi operazione con l'unità, leggere con attenzione questo manuale e conservarlo accuratamente per riferimenti futuri. Contiene informazioni importanti riguardo l'installazione, l'uso e la manutenzione dell'unità.



SICUREZZA

Avvertenze generali

- I prodotti a cui questo manuale si riferisce sono conformi alle Direttive della Comunità Europea e pertanto recano la sigla **CE**.
- Questo prodotto è dotato di una batteria al Litio ricaricabile (11,1V) per un funzionamento senza cavi.
- Il dispositivo funziona con pericolosa tensione di rete 230V~. Non intervenire mai al suo interno al di fuori delle operazioni descritte nel presente manuale; esiste il pericolo di una scarica elettrica.
- È obbligatorio effettuare il collegamento ad un impianto di alimentazione dotato di un'efficiente messa a terra (apparecchio di Classe I secondo norma EN 60598-1). Si raccomanda, inoltre, di proteggere le linee di alimentazione delle unità dai contatti indiretti e/o cortocircuiti verso massa tramite l'uso di interruttori differenziali opportunamente dimensionati.
- Le operazioni di collegamento alla rete di distribuzione dell'energia elettrica devono essere effettuate da un installatore elettrico qualificato. Verificare che frequenza e tensione della rete corrispondono alla frequenza ed alla tensione per cui l'unità è predisposta, indicate sulla targhetta dei dati elettrici.
- L'unità non per uso domestico, solo per uso professionale.
- Evitare di utilizzare l'unità:
 - in luoghi soggetti a vibrazioni, o a possibili urti;
 - in luoghi soggetti ad eccessiva umidità;
 - in luoghi a temperatura superiore ai 35°C.
- Evitare che nell'unità penetrino liquidi infiammabili, acqua o oggetti metallici.
- Non smontare e non apportare modifiche all'unità.
- Tutti gli interventi devono essere sempre e solo effettuati da personale tecnico qualificato. Rivolgersi al più vicino centro di assistenza tecnica autorizzato.
- Questo prodotto contiene una batteria ricaricabile. A tutela dell'ambiente si prega di smaltire la batteria a fine vita in conformità alla normativa vigente.
- Se si desidera eliminare il dispositivo definitivamente, consegnarlo  per lo smaltimento ad un'istituzione locale per il riciclaggio.

Attenzioni e precauzioni per l'installazione

- Se il dispositivo dovesse trovarsi ad operare in condizioni differenti da quelle descritte nel presente manuale, potrebbero verificarsi dei danni; in tal caso la garanzia verrebbe a decadere. Inoltre, ogni altra operazione potrebbe provocare cortocircuiti, incendi, scosse elettriche, rotture etc.
- Prima di iniziare qualsiasi operazione di manutenzione o pulizia sull'unità togliere la tensione dalla rete di alimentazione.
- È assolutamente necessario proteggere l'unità per mezzo di una fune di sicurezza. Nell'eseguire qualsiasi intervento attenersi scrupolosamente a tutte le normative (in materia di sicurezza) vigenti nel paese di utilizzo.
- Installare l'unità in un luogo ben ventilato.
- Mantenere i materiali infiammabili ad una distanza di sicurezza dall'unità.
- I filtri, le lenti o gli schermi ultravioletti se danneggiati possono limitare la loro efficienza.
- I LED devono essere sostituiti se danneggiati o termicamente deformati.
- Non guardare direttamente il fascio luminoso. Tenete presente che i veloci cambi di luce possono provocare attacchi d'epilessia presso persone fotosensibili o epilettiche.
- Non toccare l'alloggiamento del prodotto quando è in funzione perché potrebbe essere molto caldo.
- Questo prodotto non è idoneo per installazioni permanenti.

- 1 - INTRODUZIONE

1.1 DESCRIZIONE

SMARTBATIP è un proiettore portatile a batteria, concepito come uplighter per illuminazione d'accento in eventi di ogni genere. SMARTBATIP è munito di un pacco batteria al litio e di un modulo WiFi integrato per il funzionamento cable-free. Il design ultra-compatto e leggero rende questo proiettore veramente portatile e ricaricabile innumerevoli volte senza effetto "memoria". L'autonomia della batteria interna è di 12 ore in modalità color change e di 8 ore in full output, mentre il tempo di ricarica è di solo 5 ore. La sorgente luminosa è composta da 4x8W LEDs RGBW/fullColor ad alta potenza, per una riproduzione completa della gamma cromatica ed il piede estraibile consente di regolare l'inclinazione del fascio per assistere le operazioni di puntamento. Inoltre il suo grado di protezione IP54 lo rende adatto ad un uso esterno. La trasmissione del segnale DMX avviene mediante tecnologia WiFi, l'unità di trasmissione WIFIBOX è compatibile con qualsiasi controller DMX oppure attraverso l'applicazione SMARTCOLORS disponibile per dispositivi smartphone Android o IOS.

1.2 SPECIFICHE TECNICHE

Sorgente luminosa e ottica

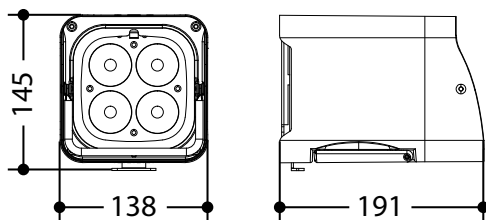
- 4x8W LED RGBW/FC
- Lux @ 3 m: 980
- Diodi LED ad alta efficienza, con colori più vividi e minore assorbimento energetico delle lampade a scarica tradizionali
- Sistema di sintesi colore: miscelazione RGBW/FC (>16 milioni di colori) per possibilità cromatiche illimitate
- Preset temperatura colore bianco: 3200K~10000K
- Angolo di proiezione: 15°
- Angolo di campo: 30°
- Durata media diodi LED: >50.000 ore

Funzionamento ed elettronica

- Diverse configurazioni DMX disponibili (4, 6, 10 canali) per controllo avanzato o semplificato
 - 4 canali: RGBW
 - 6 canali: dimmer, RGBW, strobo
 - 10 canali: dimmer, RGBW, strobe, macro, auto programs, programs speed, dimmer curve
- WDMX: Ricevitore Wifi integrato
- IR controller: Controller remoto infra-red con telecomando
- Interfaccia di controllo mediante display LED 4char per esecuzione dei programmi automatici, scelta dei colori statici, memorizzazione di show personalizzati, stato batteria, stato del segnale
- Regolazione curva dimmer: 4 configurazioni selezionabili
- Modalità Automatica: programmi automatici preimpostati con regolazione velocità
- Modalità colori statici: riproduzione statica di un colore
- Modalità colori manuali: regolazione manuale di un colore
- Modalità Master/Slave per il funzionamento sincronizzato di più unità collegate in serie
- Passaggio lineare "stepless" dei valori sui canali DMX
- Frequenza dei diodi anti-flicker (400Hz)
- Silenziosità di funzionamento, proiettore privo di ventole e struttura disegnata per avere una dissipazione a convezione naturale

Corpo e alimentazione

- Grado di protezione: IP54
- Corpo in alluminio pressofuso ad alta resistenza
- Pannello frontale realizzato in vetro temperato
- Batteria: 11,1V Litio
- Autonomia batteria: 12 ore con funzionamento in cambio colore e di 8 ore in full-output
- Tempo di ricarica: max 5 ore
- Switch load/storage batteria
- Maniglia per il trasporto e posizionamento dell'illuminatore
- Piede estraibile per inclinazione tilt (fino a 20°)
- Alimentazione: Input VDE 100-240V 50/60Hz
- Condizioni di esercizio: 0/+35°
- Peso: 3,6 kg
- Dimensioni (LxAxP): 138x191x145 mm



Disegno tecnico

Fig.1

1.3 ELEMENTI DI COMANDO E COLLEGAMENTI

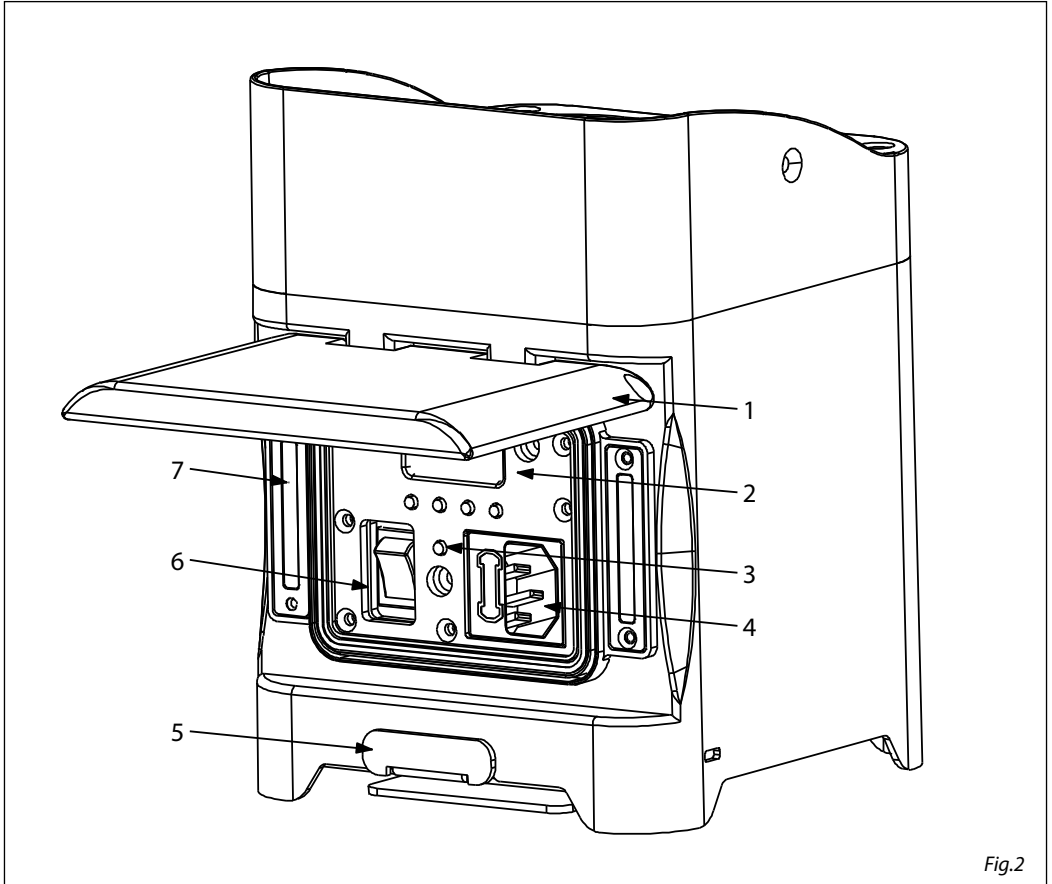


Fig.2

1. SPORTELLO di protezione
2. PANNELLO DI CONTROLLO con display e 4 pulsanti per accesso e gestione delle diverse funzioni
3. TASTO Auto Sync/Clear nella modalità con segnale wireless
4. POWER IN spina da pannello VDE per il collegamento ad una presa di rete (110-240V~/50-60Hz) tramite il cavo di rete in dotazione. Accanto alla spina si trova il portafusibile. Sostituire un fusibile difettoso solo con uno dello stesso tipo
5. Piede estraibile per inclinazione tilt (fino a 20°)
6. Interruttore ON/OFF
7. MAGNETE per blocco sportello

- 2 - INSTALLAZIONE

2.1 MONTAGGIO

Lo SMARTBATIP può essere collocato su un piano solido. Inoltre, grazie alla possibilità di fissaggio mediante il foro filettato presente sul cabinet (fig.3), l'unità può essere montata anche a testa in giù, su una traversa. Per il fissaggio occorrono dei supporti robusti per il montaggio.

L'area di collocazione deve avere una stabilità sufficiente e supportare almeno 10 volte il peso dell'unità. Inoltre assicurarsi di rispettare tutte le avvertenze in materia di sicurezza.

IMPORTANTE

È assolutamente necessario assicurare il proiettore contro la caduta utilizzando un cavo di sicurezza: in particolare collegare il cavo in un punto adatto in modo che la caduta del proiettore non possa superare i 20 cm.

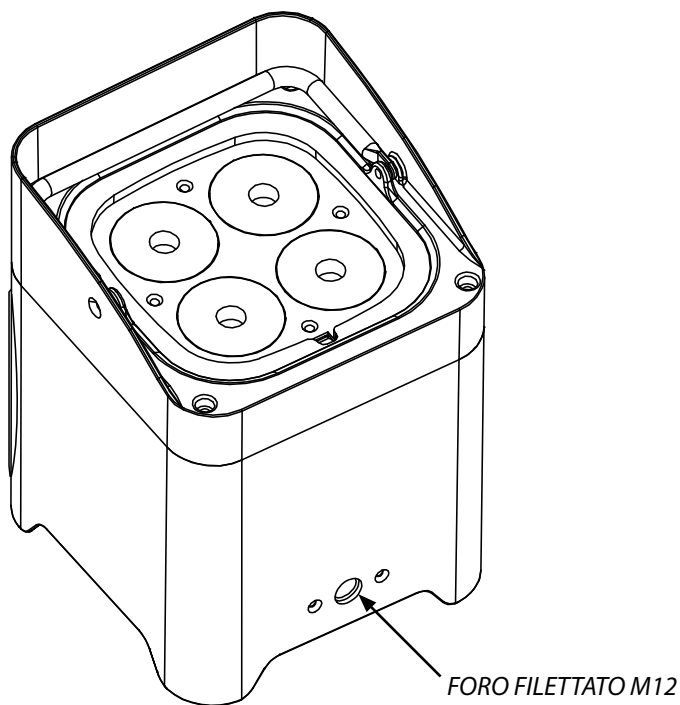


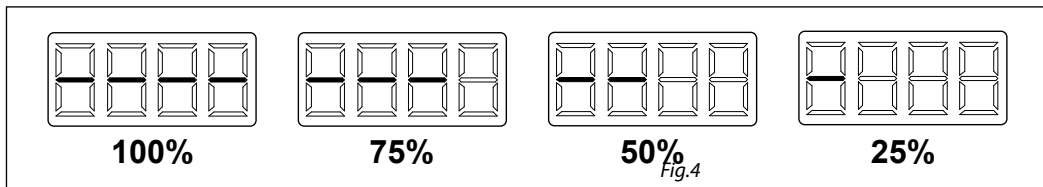
Fig.3

- 3 - FUNZIONI E IMPOSTAZIONI

3.1 FUNZIONAMENTO

Per accendere lo SMARTBATIP premere l'interruttore ON/OFF (se la batteria è scarica, inserire la spina del cavo di alimentazione in una presa di rete (100-240V~/50-60Hz). L'unità può essere comandata da un controller mediante segnale wireless oppure svolgere autonomamente il suo programma. Dopo l'uso spegnere l'unità attraverso il medesimo interruttore.

NOTA - Gli indicatori LED del display indicano il valore, in percentuale, dell'autonomia della batteria.



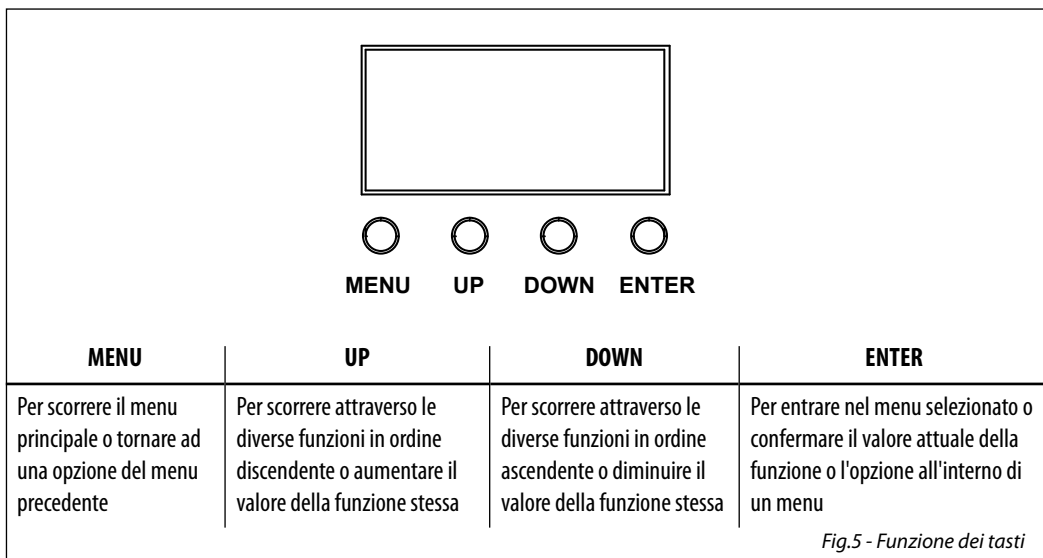
3.2 PROCESSO DI RICARICA

Per ricaricare lo SMARTBATIP, inserire la spina del cavo di alimentazione in una presa di rete (100-240V~/50-60Hz). Sull'unità si accenderà il LED del display per indicare che è in atto il processo di ricarica della batteria. Il tempo di ricarica è pari a 5 ore mentre l'autonomia è di 12 ore con funzionamento in cambio colore e di 8 ore in full-output.

NOTA - Se il prodotto è collegato e non in funzione, accertarsi che l'interruttore ON/OFF sia in posizione OFF.

3.3 IMPOSTAZIONE BASE

Lo SMARTBATIP dispone di un LED display e 4 pulsanti per accesso alle funzioni del pannello di controllo (fig.5).



3.4 STRUTTURA MENU

MENU				
1	DMX Personality and Starting Address	4 CH ⇨ 6 CH ⇨ 10 CH ⇨	d1 - d512 d1 - d512 d1 - d512	Selects DMX personality and DMX starting value
2	Static Colors	C-- ⇨	C1 - C15	Selects 1 of 15 static colors
3	Auto Programs	P-- ⇨	P1 - P4	Selects 1 of 4 auto programs
4	Programs Speed	S-- ⇨	S1 - S100	Sets auto program speed (slow to fast)
5	Custom Color Mixing	U-- ⇨ ⇨ ⇨ ⇨	r0 - r255 g0 - g255 b0 - b255 W0 - W255	Red (0-100%) Green (0-100%) Blue (0-100%) White (0-100%)
6	Dimmer	dIM ⇨ ⇨ ⇨ ⇨	OFF dIM1 dIM2 dIM3	OFF: Dimmer speed off DIM1: Dimmer speed fast DIM2: Dimmer speed middle DIM3: Dimmer speed slow
7	Infrared	SET ⇨ ⇨	ON OFF	Turns infrared on or off
8	2.4GHz WiFi Setting	S-tr ⇨ ⇨ ⇨ ⇨	drAS ⇨ drAU drCH ⇨ dr1 - dr16 dtAS ⇨ dtAU dtCH ⇨ dt1 - dt16	Automatically select receive frequency Manually select receive frequency Automatically select transmit frequency Manually select transmit frequency

3.5 AUTOSHOW

Per entrare nella modalità automatica e permettere all'unità di svolgere il suo programma Show autonomamente:

- Premere il tasto MENU fino a quando sul display non appare **P-**.
- Usare i tasti UP/DOWN per selezionare il programma **P1 - P4**.
- L'unità entrerà nella modalità automatica mandando in esecuzione il programma pre-impostato per il quale è possibile regolare la velocità di esecuzione.
- Per impostare la velocità di esecuzione premere il tasto MENU fino a quando sul display non appare **S-**, quindi utilizzare i tasti UP/DOWN per selezionare la velocità di esecuzione desiderata **S001 - S100** (Slow-Fast). Premere il tasto ENTER per salvare l'impostazione.
- Premere il tasto MENU per tornare indietro o attendere alcuni secondi per uscire dal menu di impostazione.

3.6 STATIC COLOR

L'unità dispone di preset colori pre-programmati che possono essere impostati attraverso la seguente procedura:

- Premere il tasto MENU fino a quando sul display non appare **C-**.
- Utilizzare i tasti UP/DOWN per selezionare uno dei preset **C1 - C15**.
- Premere il tasto ENTER per salvare l'impostazione.

3.7 MANUAL COLOR

Per impostare il bilanciamento personalizzato dei colori:

- Premere il tasto MENU fino a quando sul display non appare **U-**, quindi premere il tasto ENTER per confermare.
- Selezionare il colore **r, g, b, W** attraverso il tasto ENTER.
- Utilizzare i tasti UP/DOWN per impostare il valore desiderato **000 - 255**.
- Premere il tasto ENTER per confermare e passare al successivo colore.
- Continuare fino ad ottenere la miscelazione del colore.
- Premere il tasto MENU per tornare indietro o attendere alcuni secondi per uscire dal menu di impostazione.

3.8 FUNZIONE DIMMER

- Per entrare nella modalità dimmer e scegliere e simulare diverse curve dimming, premere il tasto MENU ripetutamente fino a quando sul display non compare **dim**, quindi premere il tasto ENTER.
- Premere il tasto UP/DOWN per selezionare **OFF - dim1 - dim2 - dim3**.
- Premere il tasto ENTER per confermare la scelta.
- Premere il tasto MENU per tornare indietro o attendere alcuni secondi per uscire dal menu di impostazione.

3.9 FUNZIONAMENTO TRAMITE IL CONTROLLER IRC

Per comandare lo SMARTBATIP con il telecomando a raggi infrarossi è necessario abilitare la relativa funzione:

- Premere il tasto MENU fino a quando sul display non appare **SET**, quindi premere ENTER per confermare.
- Utilizzare i tasti UP/DOWN per selezionare **On** o **OFF** a seconda che si voglia attivare oppure disattivare il controllo con il telecomando a raggi infrarossi.
- Premere ENTER per confermare la scelta.

NOTA - Assicurarsi di puntare il telecomando direttamente verso il ricevitore dell'unità.

Modalità Automatica

La modalità Automatica consente di eseguire i programmi automatici dell'unità.

Per passare in modalità Automatica:

1. Premere AUTO sul telecomando.
2. Premere + oppure - per scegliere i diversi programmi automatici.

Per regolare la velocità del programma automatico:

3. Premere SPEED sul telecomando.
4. Premere %.
5. Premere + oppure - per aumentare o diminuire la velocità del programma.

Controllo manuale del colore

Per scegliere un colore specifico con il telecomando:

1. Premere MANUAL sul telecomando.
2. Premere un numero da 0 a 9 per scegliere il colore.

Per controllare manualmente la percentuale RGB:

3. Premere MANUAL sul telecomando.
4. Premere R, G o B per scegliere il colore.
5. Premere + oppure - per aumentare o diminuire la percentuale di ciascun colore.

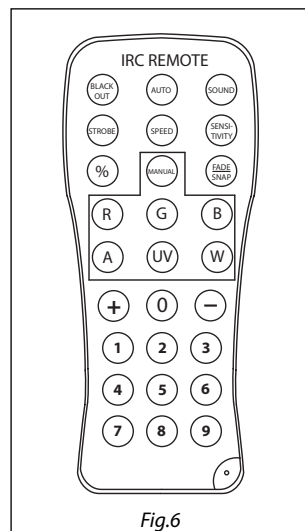


Fig.6

Operazioni varie

Per regolare la velocità di lampeggio stroboscopico del programma:

1. Premere STROBE sul telecomando.
2. Premere + oppure - per aumentare o diminuire la velocità di lampeggio.
3. Premere di nuovo STROBE per disattivare il lampeggio.

Per modificare l'effetto di commutazione del programma:

- Premere FADE/SNAP sul telecomando.
- Fade cambia lentamente l'effetto. Snap cambia rapidamente l'effetto.

Per oscurare le luci:

- Premere BLACK OUT sul telecomando.
- Verranno spente tutte le luci fino alla successiva pressione del pulsante.

NOTA - Il telecomando non risponde ad alcun input quando è attivo il Black Out. Se il telecomando non risponde quando viene premuto un pulsante, provare a premere Black Out; probabilmente il BLACK OUT era stato attivato involontariamente.

3.10 MODALITÀ MASTER/SLAVE CON SEGNALE WIRELESS

Questa modalità consente di collegare in modalità wireless più unità SMARTBATIP, senza un controller. La prima unità, trasmittitrice di segnale, sarà impostata come master e le altre, riceventi, come slave.

La comunicazione wireless tra i dispositivi può essere configurata in due modalità:

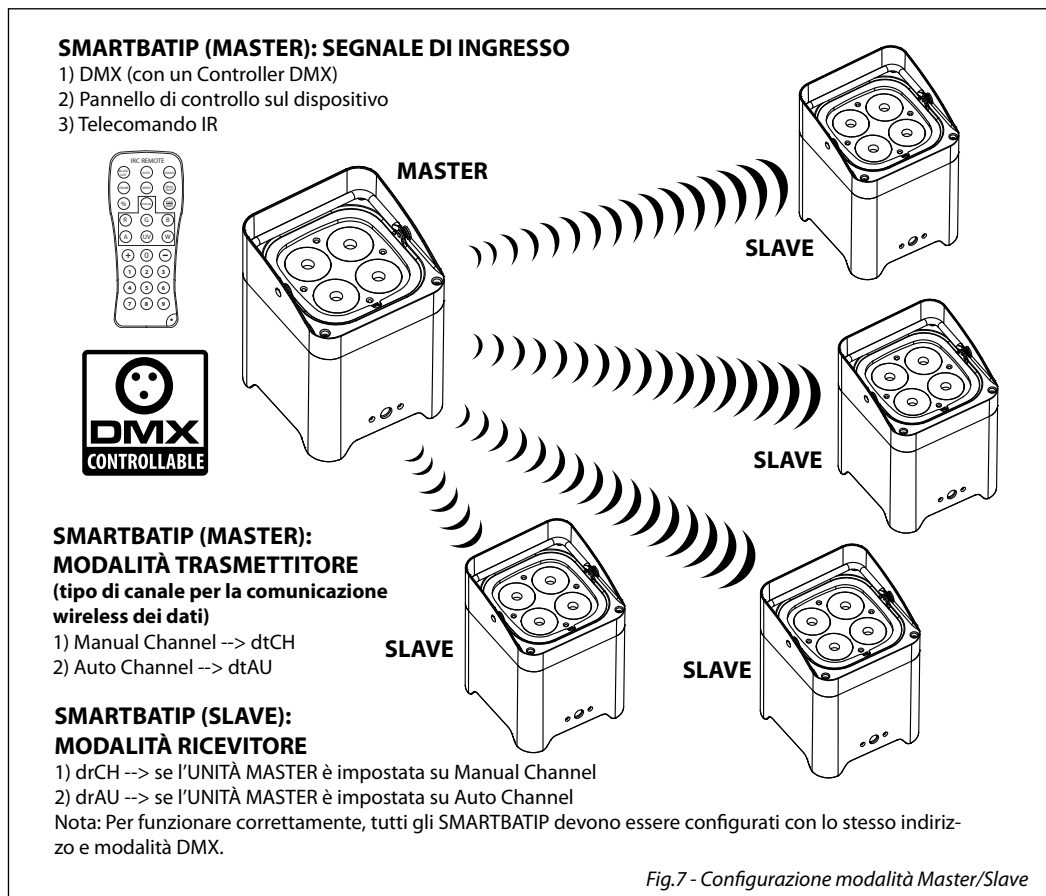


Fig.7 - Configurazione modalità Master/Slave

Modalità trasmissione/ricezione manuale

Sull'unità Master:

- Premere il tasto MENU fino a quando sul display non appare **5-tr** quindi premere il tasto ENTER.
- Usare i tasti UP/DOWN per selezionare il valore **dtCH**. Premere il tasto ENTER per confermare la scelta.
- Premere il tasto UP/DOWN per selezionare il segnale per la trasmissione **dt 1 - dt 16**.
- Premere il tasto ENTER per salvare l'impostazione.

Sull'unità Slave:

- Premere il tasto MENU fino a quando sul display non appare **5-tr** quindi premere il tasto ENTER.
- Usare i tasti UP/DOWN per selezionare il valore **drCH**. Premere il tasto ENTER per confermare la scelta.
- Premere il tasto UP/DOWN per selezionare il segnale per la ricezione **dr 1 - dr 16** e poi premere il tasto ENTER.

Modalità trasmissione/ricezione automatica

Sull'unità Master:

- Premere il tasto MENU fino a quando sul display non appare **S-tr** quindi premere il tasto ENTER.
- Usare i tasti UP/DOWN per selezionare il valore **dtAS**. Premere il tasto ENTER per confermare la scelta.
- Premere nuovamente il tasto ENTER per confermare **dtAU**.

Sull'unità Slave:

- Premere il tasto MENU fino a quando sul display non appare **S-tr**
- Premere il tasto ENTER per confermare la scelta.
- Usare i tasti UP/DOWN per selezionare il valore **drAS**. Premere il tasto ENTER per confermare la scelta.
- Premere nuovamente il tasto ENTER per confermare **drAU**.

Sull'unità Master:

- Mantenere premuto il tasto AUTO.

Sull'unità Slave:

- Mantenere premuto il tasto AUTO (continuare a mantenere premuto il tasto AUTO sull'unità Master).
- Rilasciare dopo 5 secondi il tasto AUTO sull'unità Slave.

NOTA - Sull'unità master selezionare una delle modalità standalone. Impostare sulle unità slave la stessa configurazione canali DMX e lo stesso indirizzo.

3.11 FUNZIONAMENTO CON APP "SMARTCOLORS"

Importante: per utilizzare questa applicazione è necessaria un'unità WIFIBOX (acquistabile separatamente). WIFIBOX è un dispositivo di controllo di nuova concezione ideato per avere una gestione versatile ed immediata per proiettori LED. La trasmissione del segnale avviene tramite cavo e Wireless via Wi-Fi, entrambi sia in uscita che ingresso, permettendo il controllo in remoto dei proiettori attraverso l'applicazione SmartColors, disponibile sia per dispositivi Android che iOS.

Prima di utilizzare questa applicazione, controllare che tutti i dispositivi da utilizzare siano configurati correttamente con la WIFIBOX. Per la configurazione dei dispositivi fare riferimento al manuale della WIFIBOX disponibile sul sito "www.musiclights.it".

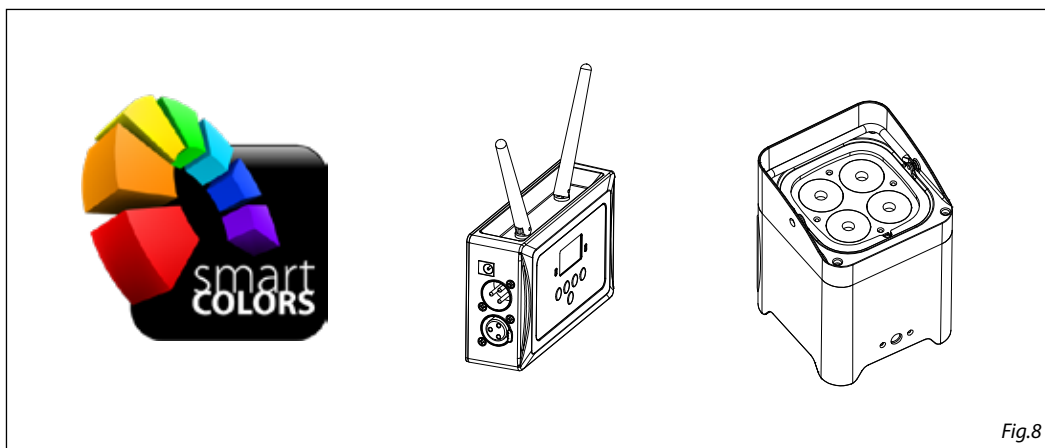
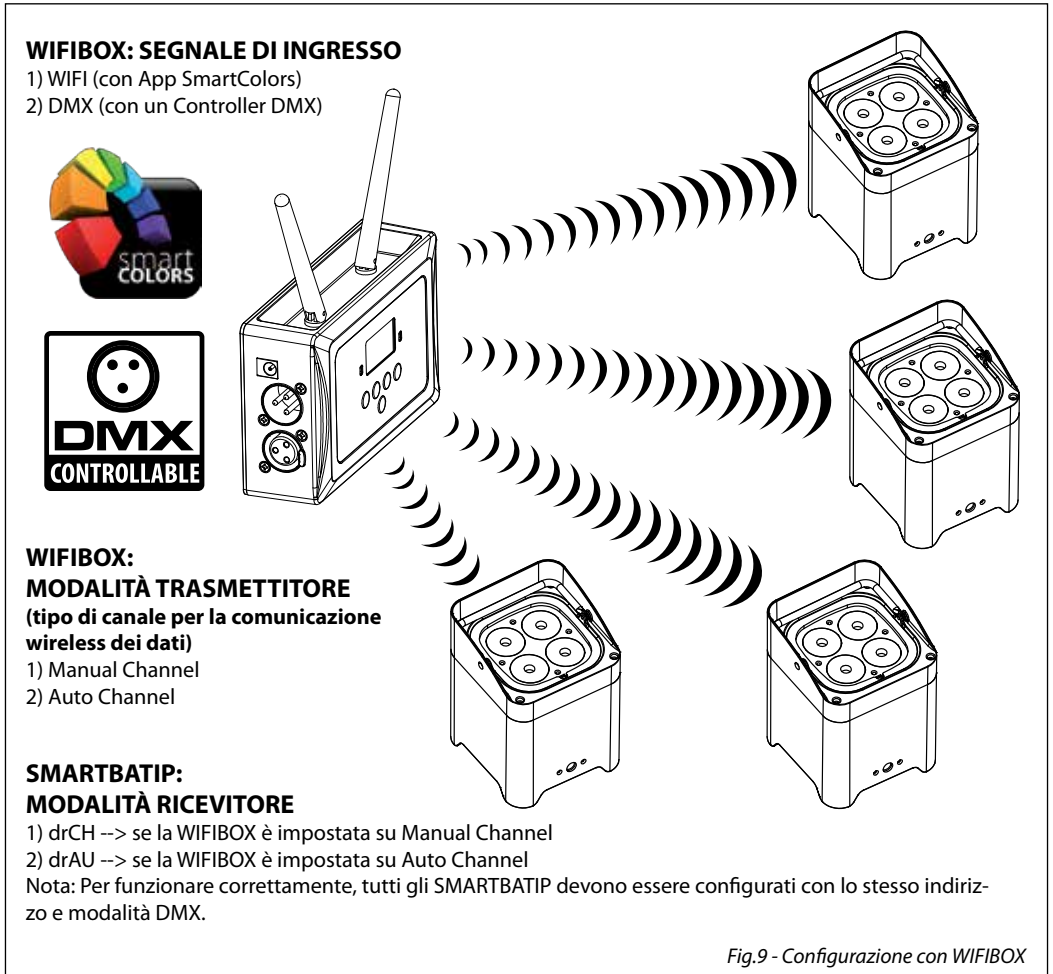


Fig.8

3.12 FUNZIONAMENTO CON WIFIBOX

Questa modalità consente di collegare in modalità wireless più unità SMARTBATIP, tutte gestite attraverso un'unità WIFIBOX (acquistabile separatamente).

Per l'unità WIFIBOX, trasmittitrice di segnale, sarà impostato il segnale di ingresso, WIFI o DMX. Per la configurazione dei dispositivi fare riferimento al manuale della WIFIBOX disponibile sul sito "www.musiclights.it".



3.13 MODALITÀ DMX

- Per poter entrare nella modalità DMX, premere il tasto MENU fino a quando sul display non appare **CH4**, **CH6** o **CH10**, quindi premere ENTER per confermare.
- Utilizzare i tasti UP/DOWN per impostare l'indirizzo DMX desiderato **d001 - d512**. Tenere premuto per lo scorrimento veloce.
- Premere ENTER per confermare

Le tabelle a pagina 18 indicano le modalità di funzionamento e i relativi valori DMX. Come interfaccia DMX, l'unità possiede dei contatti XLR a 3 poli.

3.14 INDIRIZZAMENTO DMX

Per poter comandare lo SMARTBATIP con un'unità di comando luce, occorre impostare l'indirizzo di start DMX per il primo canale DMX. Se, per esempio, sull'unità di comando è previsto l'indirizzo 33 per comandare la funzione del primo canale DMX, si deve impostare sul SMARTBATIP l'indirizzo di start 33. Le altre funzioni del pannello saranno assegnate automaticamente agli indirizzi successivi. A pagina seguente un esempio con indirizzo 33 di start:

Numero canali DMX	Indirizzo di start (esempio)	Indirizzo DMX occupati	Prossimo indirizzo di start possibile per unità n°1	Prossimo indirizzo di start possibile per unità n°2	Prossimo indirizzo di start possibile per unità n°3
4	33	33-36	37	41	45
6	33	33-38	39	45	51
10	33	33-42	43	53	63

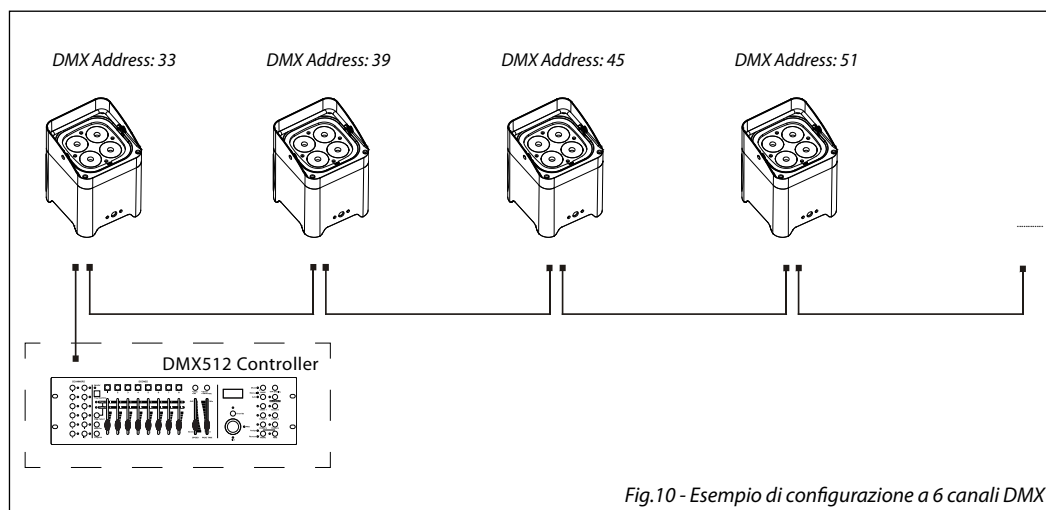


Fig.10 - Esempio di configurazione a 6 canali DMX

3.21 CANALI DMX

10 CANALI

MODE 10 Ch	FUNCTION	DMX Value
1	DIMMER 0~100%	000 - 255
2	RED 0~100%	000 - 255
3	GREEN 0~100%	000 - 255
4	BLUE 0~100%	000 - 255
5	WHITE 0~100%	000 - 255
6	COLOR MACRO + COLOR TEMPERATURE No Function R: 100% / G: 0-100% / B: 0% R: 100-0% / G: 100% / B: 0% R: 0% / G: 100% / B: 0-100% R: 0% / G: 100-0% / B: 100% R: 0-100% / G: 0% / B: 100% R: 100% / G: 0% / B: 100-0% R: 100% / G: 0-100% / B: 0-100% R: 100-0% / G: 100-0% / B: 100% R: 100% / G: 100% / B: 100% / W: 100% Color temperature 1 Color temperature 2 Color temperature 3 Color temperature 4 Color temperature 5 Color temperature 6 Color temperature 7 Color temperature 8 Color temperature 9 Color temperature 10 Color temperature 11	000 - 010 011 - 030 031 - 050 051 - 070 071 - 090 091 - 110 111 - 130 131 - 150 151 - 170 171 - 200 201 - 205 206 - 210 211 - 215 216 - 220 221 - 225 226 - 230 231 - 235 236 - 240 241 - 245 246 - 250 251 - 255
7	STROBE No Function Strobe slow to fast	000 - 010 011 - 255
8	AUTO PROGRAMS No Function Auto Program 1 Auto Program 2 Auto Program 3 Auto Program 4	000 - 010 011 - 060 061 - 120 121 - 180 181 - 255

MODE 10 Ch	FUNCTION	DMX Value
9	AUTO SPEED Speed slow to fast	000 - 255
10	DIM MODE Preset dimmer speed from display menu Dimmer speed mode off Dimmer speed mode1 (fast speed) Dimmer speed mode2 (middle speed) Dimmer speed mode3 (slow speed)	000 - 051 052 - 101 102 - 152 153 - 203 204 - 255

6 CANALI

MODE 6 Ch	FUNCTION	DMX Value
1	DIMMER 0~100%	000 - 255
2	RED 0~100%	000 - 255
3	GREEN 0~100%	000 - 255
4	BLUE 0~100%	000 - 255
5	WHITE 0~100%	000 - 255
6	STROBE No Function Strobe slow to fast	000 - 010 011 - 255

4 CANALI

MODE 4 Ch	FUNCTION	DMX Value
1	RED 0~100%	000 - 255
2	GREEN 0~100%	000 - 255
3	BLUE 0~100%	000 - 255
4	WHITE 0~100%	000 - 255

- 4 - MANUTENZIONE

4.1 MANUTENZIONE E PULIZIA DEL SISTEMA OTTICO

- Durante gli interventi, assicurarsi che l'area sotto il luogo di installazione sia libera da personale non qualificato.
- Spegnerne l'unità, scollegare il cavo di alimentazione ed aspettare finché l'unità non si sia raffreddata.
- Tutte le viti utilizzate per l'installazione dell'unità e le sue parti devono essere assicurate saldamente e non devono essere corrose.
- Alloggiamenti, elementi di fissaggio e di installazione (soffitto, truss, sospensioni) devono essere totalmente esenti da qualsiasi deformazione.
- I cavi di alimentazione devono essere in condizione impeccabile e devono essere sostituiti immediatamente nel momento in cui anche un piccolo problema viene rilevato.
- Si dovrebbe procedere, ad intervalli regolari, alla pulizia della parte frontale per asportare polvere, fumo e altre particelle. Solo così, la luce può essere irradiata con la luminosità massima. Per la pulizia usare un panno morbido, pulito e un detergente per vetri come si trovano in commercio. Quindi asciugare le parti delicatamente.

4.2 SOSTITUZIONE FUSIBILE

1. Assicurarsi di scollegare il cavo di alimentazione del proiettore prima di sostituire un fusibile bruciato con uno dello stesso tipo e valore.
2. Con un cacciavite, rimuovere il portafusibile dalla sua sede e il fusibile bruciato dal suo supporto; sostituire il fusibile con uno identico per tipologia e valore.
3. Inserire il portafusibile al suo posto e ricollegare l'alimentazione.

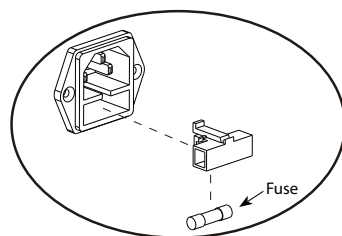


Fig.11

4.3 RISOLUZIONE DEI PROBLEMI

Anomalie	Possibili cause	Controlli e rimedi
Il proiettore non illumina	<ul style="list-style-type: none"> • Mancanza di alimentazione di rete • Dimmer impostato a 0 • Tutti i colori impostati a 0 • LED difettoso/i • Scheda LED difettosa 	<ul style="list-style-type: none"> • Verificare la presenza della tensione alimentazione • Incrementare i valori del canale dimmer • Incrementare i valori dei canali colori • Sostituire scheda LED • Sostituire scheda LED
Bassa intensità di luce generale	<ul style="list-style-type: none"> • Lenti sporche • Lente disallineata 	<ul style="list-style-type: none"> • Pulire il dispositivo regolarmente • Installare il gruppo ottico correttamente
Il proiettore non è alimentato	<ul style="list-style-type: none"> • Mancanza di alimentazione di rete • Cavo di alimentazione danneggiato • Alimentatore interno difettoso 	<ul style="list-style-type: none"> • Verificare la presenza della tensione alimentazione • Controllare il cavo di alimentazione • Sostituire l'alimentatore interno
Il proiettore non risponde al DMX	<ul style="list-style-type: none"> • Indirizzamento DMX errato • Cavo di segnale DMX difettoso • Rimbalzo segnale DMX 	<ul style="list-style-type: none"> • Controllare il pannello di controllo e l'indirizzamento delle unità • Controllare il cavo di segnale DMX • Installare una terminazione DMX come suggerito

Rivolgersi a un centro di assistenza tecnico autorizzato nel caso in cui il problema non sia riportato in tabella.

Guida all'uso della batteria

Inizializzazione di una nuova batteria

Ogni nuovo faro contenente una batteria al litio, dovrebbe essere inizializzata al primo utilizzo per massimizzarne l'efficienza.

Per fare questo:

1. Caricare completamente l'unità per un minimo di 5-6 ore.
 2. Scaricare completamente, quindi ricaricare completamente la batteria
 3. Ripetere questo ciclo altre 2 volte per ottenere una durata ottimale della batteria.
-

Ottimizza le prestazioni della batteria

1. Le batterie al litio funzionano in modo ottimale quando vengono utilizzate regolarmente. Lunghi periodi con batteria al minimo riducono la durata della batteria.
 2. Ricaricare la batteria appena possibile, lasciare le batterie scariche per lunghi periodi, riduce la durata della batteria.
 3. Conservare le unità contenenti batterie al litio a temperature fredde. Una temperatura ambientale troppo alta riduce notevolmente la durata di una batteria al litio.
 4. Scollegare l'alimentazione dall'unità quando la ricarica è completa.
 5. Non utilizzare durante il caricamento.
-

Se non lo usi per molto tempo

1. Carica la batteria circa al 50%. Un dispositivo con la batteria completamente scarica, potrebbe esaurirsi al punto da rendere impossibile una nuova ricarica. Se invece il dispositivo resta inattivo per un lungo periodo con la carica al 100%, la capacità della batteria potrebbe deteriorarsi e la sua autonomia potrebbe risentirne.
2. Spegni il dispositivo, in modo da impedire che la batteria continui a essere utilizzata.
3. Riponi il dispositivo in un luogo fresco e asciutto, a una temperatura inferiore ai 32 °C.

